

Cutter

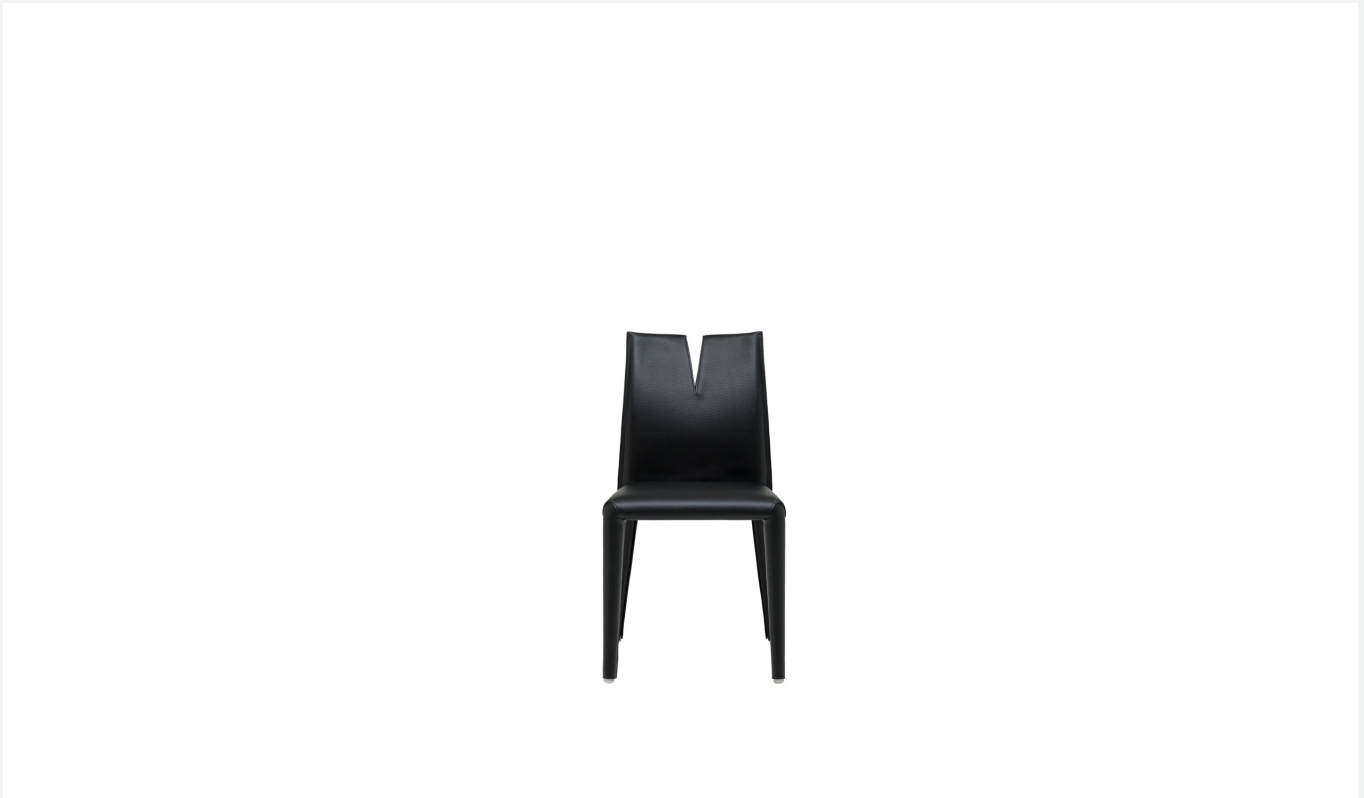
CHAIRS

2020

Mario Bellini

CONTEXT

ENQUIRIES
info@contextgallery.com
Tel. 404. 477. 3301
Tel. 800. 886. 0867
contextgallery.com



Description

The Cutter chair is characterised by a bold aesthetic. The back of the chair is slashed by a cut, as a tribute to the great artist Lucio Fontana: not just an aesthetic choice, but a detail generating a distinctive type of seating. Functional and comfortable in a frontal position, the backrest's top sections move independently, making it also possible to sit sideways. Thus, users can chat with the person seated next to them, sitting informally while leaning on one side with an arm placed around the backrest. The upholstery and cover fully envelop the chair in thick full grain leather, creating an ideal combination of softness and rigour, underlined by saddle stitching. The central slash reveals an interior in refined Saffiano leather.

Technical information

Internal frame

tubular steel and steel profiles

Internal frame upholstery

Bayfit® flexible cold shaped polyurethane foam

Ferrules

thermoplastic material

Cover

thick leather

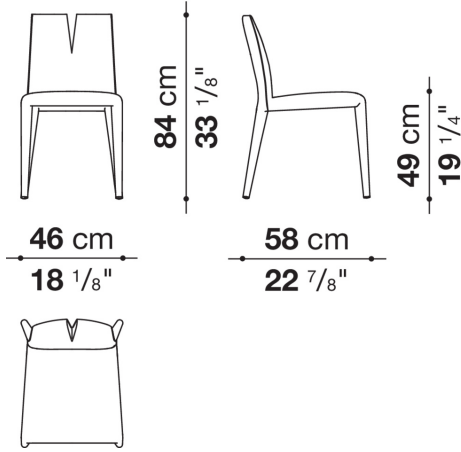
CONTEXT

ENQUIRIES
info@contextgallery.com

Tel. 404. 477. 3301
Tel. 800. 886.0867

Technical drawings

CU46



CONTEXT

ENQUIRIES
info@contextgallery.com

Tel. 404. 477. 3301
Tel. 800. 886.0867