

Cassina

518 PLURIMA

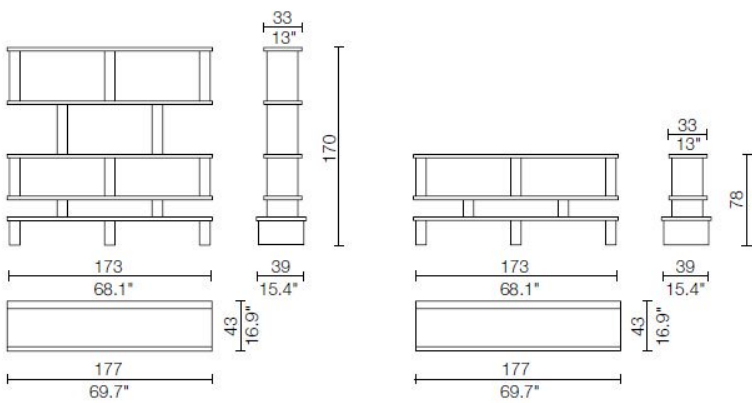
Family **PERRIAND**

Catalogue I **Maestri**

Year of design **1983**

Year of production **2009**

Bookcase available in two versions, high and low. Structure in natural oak; bicolour vertical partitions painted in black and white. Sliding elements are in satin anodized aluminium.



CONTEXT

ENQUIRIES
info@contextgallery.com

Tel. 404. 477. 3301
Tel. 800. 886.0867

contextgallery.com
contextcontract.com