

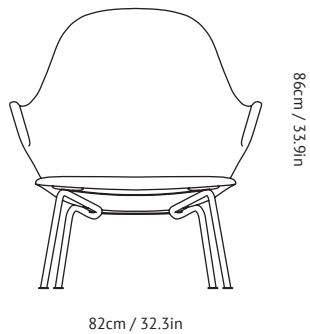


CATCH LOUNGE JH14

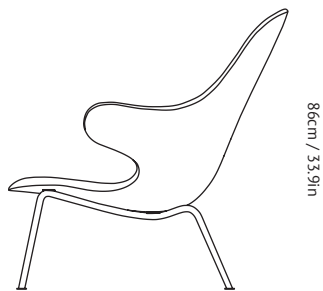
BY JAIME HAYON

2017

Product category	Lounge chair with armrest
Production Process	The Catch lounge is made from a molded PU foam core covered in soft CMHR foam for superior comfort. The base is made from Ø20mm steel tubes.
Environment	Indoor
Material	Molded PU foam, CMHR foam, steel tube base, fabric or leather upholstery.
Dimensions (cm/in)	H: 86cm/33.9in, W: 82cm/32.3in, D: 92cm/36.2in. Armrest height: 58cm/22.8in. Seat height: 36cm/14.2in.
Weight (kg)	13kg
Base finishes and gliders	Satin matt warm black powder coating (RAL 8022). The base is fitted with felt gliders as standard.
COM - Material Consumption	Fabric usage; 3 meters based on 140cm roll. Leather usage; 6 square meters. COM must be approved by &tradition to ensure suitability for upholstery.
Strength, Durability and Safety Testing	The Catch lounge is tested for strength, durability and safety according to EN 16139 Level 1 - General contract use.
Cleaning Instructions	Please download our Material Cleaning Instructions through www.andtradition.com
Package Dimensions (cm/in)	H: 90cm/35.4in, W: 84cm/33in, D: 94cm/37in.



82cm / 32.3in



92cm / 36.2in

CONTEXT

ENQUIRIES
info@contextgallery.com

Tel. 404. 477. 3301
Tel. 800. 886.0867

contextgallery.com
contextcontract.com

 **tradition®**