
Charlotte

CHAIRS

Antonio Citterio



Description

Charlotte by Antonio Citterio is a tribute to lightness. The shell is completely covered, but the frame profile is visible on the chair side, thus highlighting the line of the seat. The cover is in raw cut full grain leather in six different colours (natural, black, dark brown, mud green, bottle green, bordeaux). The frame is available in a series of different finishes that emphasize it when pewter painted, bronzed nickel painted, black chrome painted or black painted aluminium, or blend it with the cover when painted in bottle green or bordeaux colours.

Technical information

Shell:

fiberglass reinforced polyamide

Shell upholstery:

Bayfit® (Bayer®) flexible cold shaped polyurethane foam

Support frame:

bronzed nickel painted, black painted, bordeaux painted, bottle green painted, pewter painted or painted black chrome

Ferrules:

plastic material

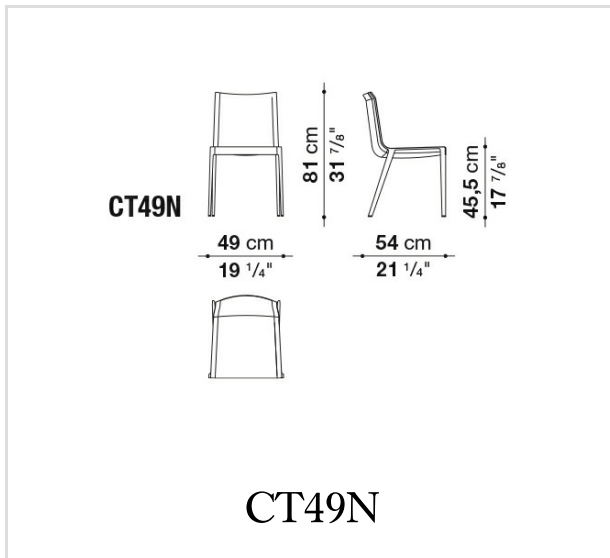
Additional ferrules:

felt and plastic material

Cover:

natural, black, dark brown, bordeaux, bottle green or mud green embossed thick leather

Technical drawings



B&B Italia reserves the right to make technological and aesthetic improvements to its models, including changes to the sizes and materials, without notice. The technical drawings do not define the details of the product. The measurements shown are indicative and may undergo changes. In particular, the dimensions relevant to the padded parts are subject to usage tolerances over time caused by the normal adjustment of the padding. For the specific information, please contact the dealer closest to you.