

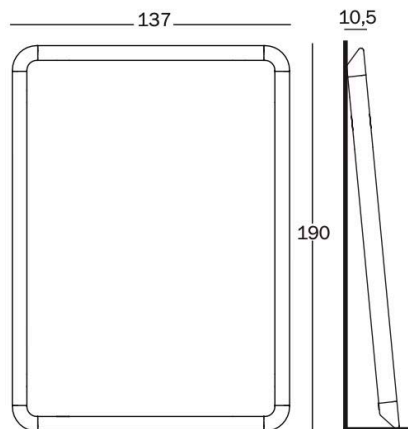
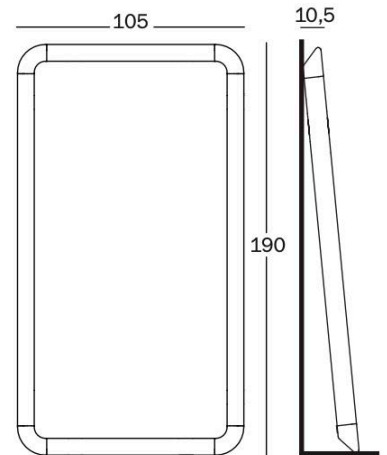
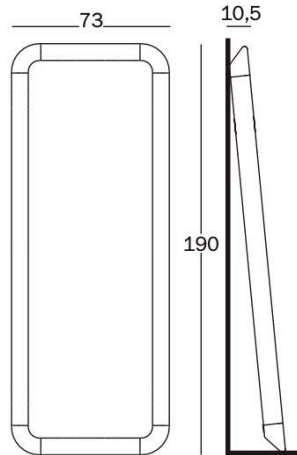
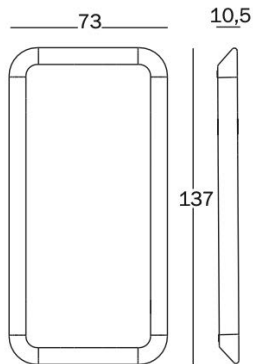
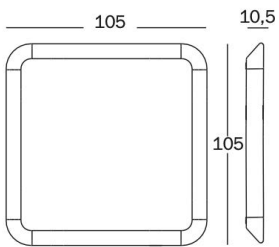
# MAGIS

Déjà-vu - design Naoto Fukasawa, 2011

## Mirror.

Material: Frame in extruded aluminum, polished. Joints in die-cast aluminum, polished. Mirror with protective back film. Supplied with brackets for wall hanging in zinc plated steel or resin strip for floor standing. Available in different dimensions:

Note: Dimensions are in metric



## CONTEXT

ENQUIRIES  
[info@contextgallery.com](mailto:info@contextgallery.com)

Tel. 404. 477. 3301  
Tel. 800. 886.0867

[contextgallery.com](http://contextgallery.com)