

Doyl

CHAIRS

2011

Gabriele & Oscar Buratti

CONTEXT

ENQUIRIES
info@contextgallery.com
Tel. 404. 477. 3301
Tel. 800. 886.0867
contextgallery.com



Description

This piece is the result of sophisticated research on the theme of padded thick leather that reaches very thin tailoring solutions. Softness is perceived by the lines of the seat and backrest and by their convex shape. Thick leather is bent, rounded and turned but never cut; the continuous seams on the front and back add a graphic sign. The fabric variants can be very colourful.

Technical information

Internal frame

tubular steel and steel profiles

Internal frame upholstery

Bayfit® flexible cold shaped polyurethane foam

Ferrules

thermoplastic material

Cover

thick leather

CONTEXT

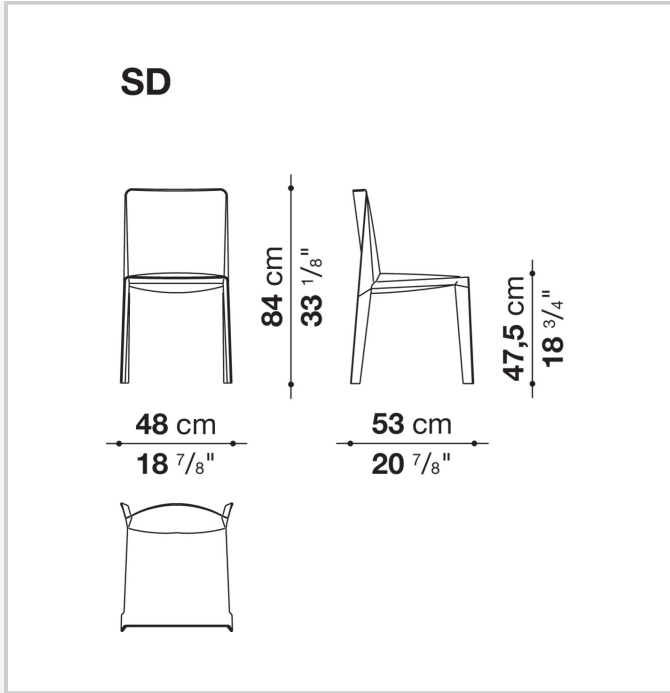
ENQUIRIES

info@contextgallery.com

Tel. 404. 477. 3301

Tel. 800. 886.0867

Technical drawings



CONTEXT

ENQUIRIES
info@contextgallery.com

Tel. 404. 477. 3301
Tel. 800. 886.0867