

---

# Dike

BEDS

*Antonio Citterio*



## Description

The Dike bed designed by Antonio Citterio for Maxalto stands out for its unusually-sized headboard. Citterio imagined two panels each 78-3/4" high by 49-1/2" wide, and ending with two mobile elements, each anchored by an elegant full-height hinge. This headboard becomes a theatrical backdrop, or a structural part made even more sophisticated by the upholstery. Dike uses an ad-hoc designed fabric, with an enhanced three-dimensional and visible texture similar to a woven horizontal band tapestry. It makes light and color visual effects that fade gently into each other.

---

## Technical information

### Internal frame

tubular steel and steel profiles

### Internal frame upholstery

Bayfit® flexible cold shaped polyurethane foam, polyester fibre cover

### Feet

tubular steel and steel profiles

### Wheels support frame

steel

### Wheels

plastic material

### Ferrules

thermoplastic material

### Internal frame (TDA380)

multi-layered wood panel

### Wall fixing brackets (TDA380)

steel profiles

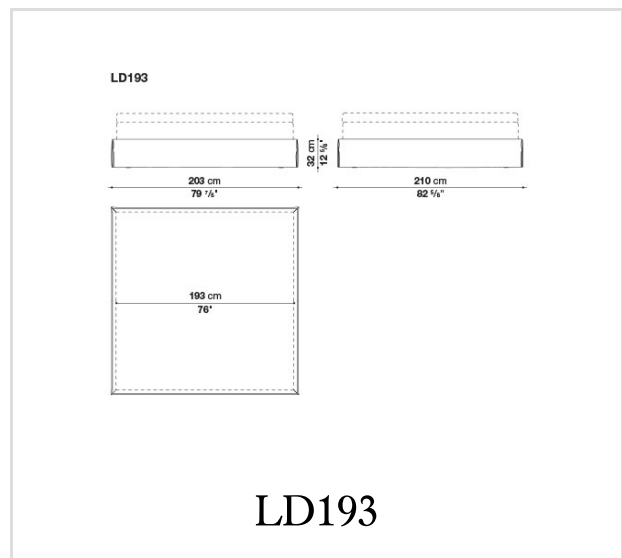
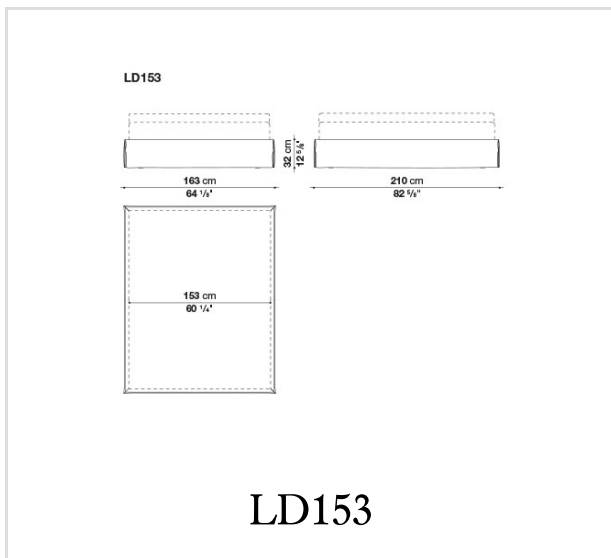
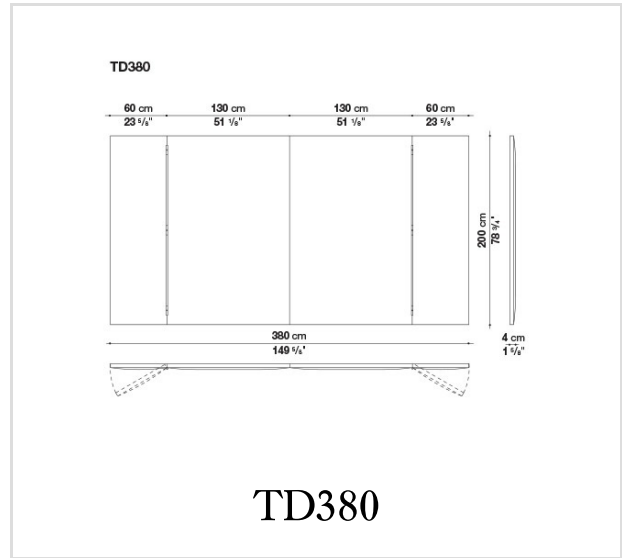
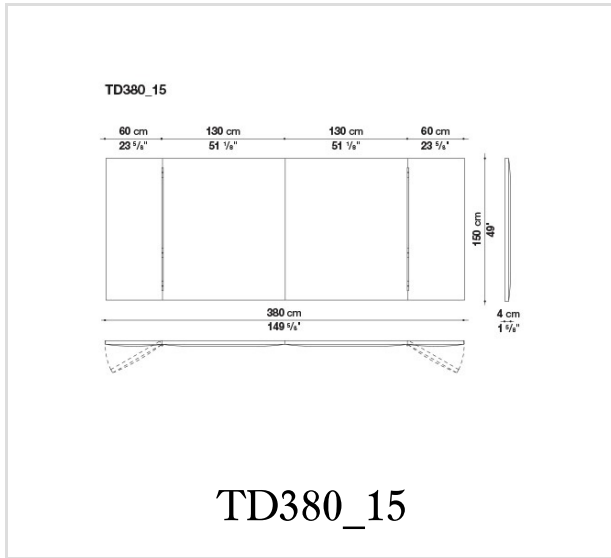
### Hinge (TDA380)

steel

### Cover

fabric

# Technical drawings



## CONTEXT

ENQUIRIES  
[info@contextgallery.com](mailto:info@contextgallery.com)

Tel. 404. 477. 3301  
Tel. 800. 886.0867

[contextgallery.com](http://contextgallery.com)  
[contextcontract.com](http://contextcontract.com)