

True to the original draw of 1970, it is a column unit composed of 18 white lacquered wooden drawers that open on both sides of the structure. Set in metal laser-cut and painted with epoxy powder matt black. Produced in a numbered series but not limited, it is now part of the MoMa New York collection.

Materials used_

Structure:

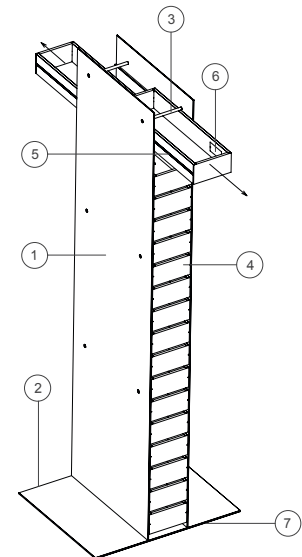
1. Hips metal sheet painted with epoxy powder, lacquered matt black
2. Base metal sheet painted with epoxy powder, lacquered matt black
3. Metal rod epoxy powder coated, matt black

Drawers:

4. Drawers conglomerate fiber medium density wood veneered melamine, matt white (n°18 drawers)
5. Nylon guide
6. Numbered plaque in anodized aluminum

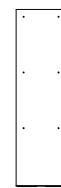
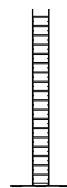
Feet:

7. Felt



Dimensions_

PC_20



177,4
69 3/4"

60
23 3/4"

50
19 3/4"



CONTEXT

349 Peachtree Hills Ave
Suite B2
Atlanta, GA 30305
contextgallery.com
contextcontract.com

ENQUIRIES
info@contextgallery.com

Tel. 404. 477. 3301
Tel. 800. 886. 0867

Cap Design S.p.A.
via Busnelli, 5
I-20821 Meda (MB)

tel. +39 0362372486
www.cappellini.it
cappellini@cappellini.it