

Édouard

ARMCHAIRS

2016

Antonio Citterio

CONTEXT

ENQUIRIES
info@contextgallery.com
Tel. 404. 477.3301
Tel. 800. 886.0867
contextgallery.com



Description

Striking and functional, the Édouard armchairs, along with the sofas of the same name, are designed to furnish relaxing lounge areas, adapting to the space and to personal taste. Available with a high or low backrest, they stand out for their rigorous yet soft frames ensuring utmost comfort. Covers produced in a broad range of fabrics and leather are customised with seams in relief that define the frames with an impressive graphic effect.

Technical information

Internal frame

tubular steel and steel profiles

Back and armrest internal frame upholstery

Bayfit® flexible cold shaped polyurethane foam, polyester fibre

Seat cushion upholstery

shaped polyurethane of different density

Feet

aluminium

Ferrules

thermoplastic material

Cover

fabric or leather (raised stitching)

CONTEXT

ENQUIRIES

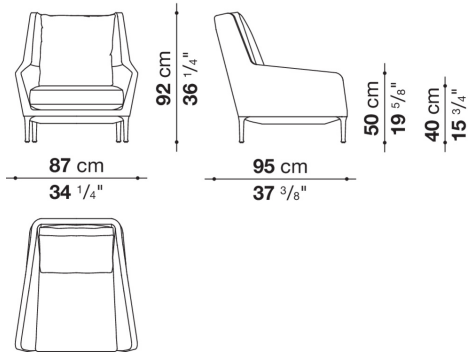
info@contextgallery.com

Tel. 404. 477. 3301

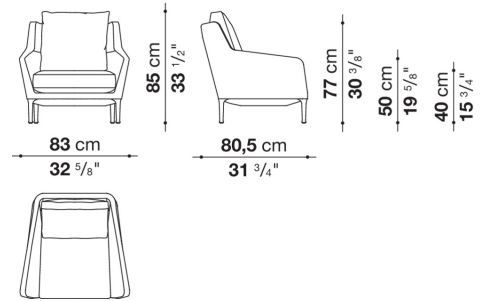
Tel. 800. 886.0867

Technical drawings

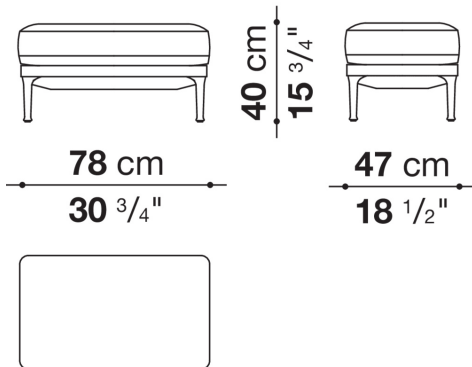
ED87A_V



ED83_V



ED78P_V



CONTEXT

ENQUIRIES
info@contextgallery.com

Tel. 404. 477. 3301
Tel. 800. 886.0867