

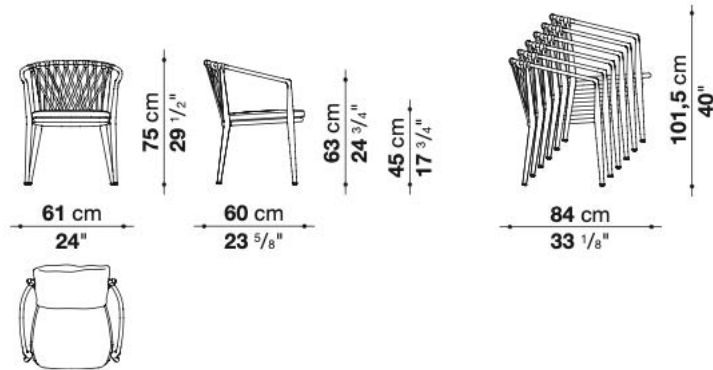
Erica

DESIGNED BY ANTONIO CITTERIO

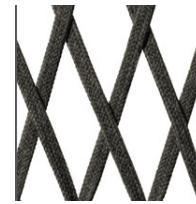
The Erica collection of sofas, armchairs and small chairs that was so successfully launched in 2017 has been enhanced by new sofas, still based on the same characteristic curved backrest and interlacing as before but offering a deeper seat and lived-in appearance.

The sofas come in three extra-comfortable sizes - the 170 cm and 216 cm styles with a 96 cm deep seat and the 153 cm version with a 140 cm seat - and the cushions have a different type of filling giving an even softer and more natural look and making them even more inviting.

The unusual colour juxtaposition of frame and interlacing in anthracite, tortora or a frame in sage with natural-coloured interlacing can be complemented by a vast range of cushion covers, in an array of tones and designs, all co-ordinating with each other. There is also a chair with armrests with an brand new interlaced backrest.



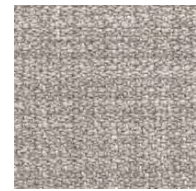
Frame:
0236B
anthracite painted



**polypropylene/
anthracite frame**



Seat & Back cushion:
Lesia 877



Seat & Back cushion:
Saturno151

Dining chair
(waterproof cover included)
Lesia 877 or Saturno 151



CONTEXT GALLERY

ENQUIRIES
info@contextgallery.com
Tel. 404. 477. 3301
Tel. 800. 886.0867
contextgallery.com

