

# Erica '19

CHAIRS

2019

Antonio Citterio

**CONTEXT**

ENQUIRIES  
info@contextgallery.com  
Tel. 404-477-3301  
Tel. 800-886-0867  
contextgallery.com



## Description

Curved and enveloping, the Erica '19 chair for outdoor use has a polyester powder painted aluminium frame and a backrest characterised by an exclusive interlacing. Refined colour combinations include a single-colour or two-colours for the frame and interlacing. The seat cushion comes in a wide range of fabric covers. In addition to chairs, the Erica '19 collection also includes sofas and armchairs.

## Technical information

**Frame**

die-cast aluminium and extrusions with polyester powder painting

**Back upholstery**

polyester fiber recycled from PET, cover in water repellent polyester fibre

**Back upholstery (British Standard version)**

polyester fibre and polyurethane combination

**Seat upholstery**

shaped polyurethane, polyester fiber recycled from PET, cover in water repellent polyester fibre

**Seat upholstery (British Standard version)**

shaped polyurethane, cover in water repellent polyester fibre (with heat-sealed ribbon)

**Seat webbing**

polypropylene fibre and synthetic rubber threads

**Interlacing**

polypropylene fibre braid

**Ferrules**

thermoplastic material

**Waterproof cover cloth**

PES fabric coated on one side in PU

**Cover**

fabric in limited categories (with profile)

**Cover (British Standard version)**

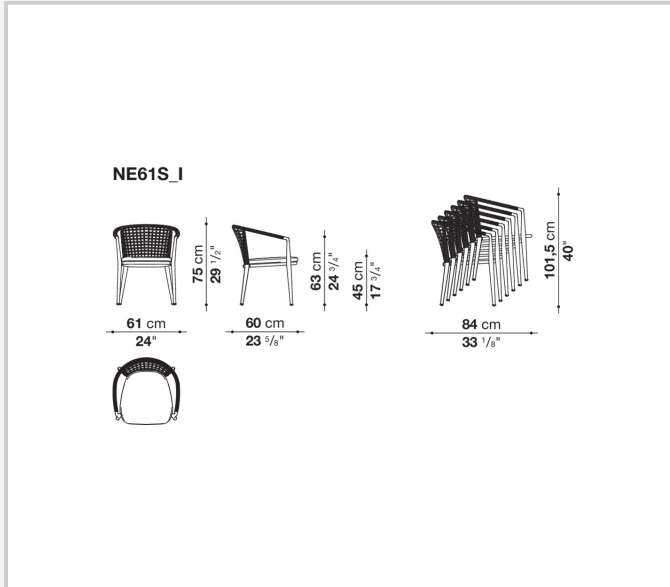
fabric in limited categories (without profile)

## CONTEXT

ENQUIRIES  
info@contextgallery.com

Tel. 404. 477. 3301  
Tel. 800. 886.0867

# Technical drawings



## CONTEXT

ENQUIRIES  
info@contextgallery.com

Tel. 404. 477. 3301  
Tel. 800. 886.0867

contextgallery.com