

Fat-Fat Outdoor

SMALL TABLES

2019

Patricia Urquiola

CONTEXT

ENQUIRIES
info@contextgallery.com
Tel. 404. 477. 3301
Tel. 800. 886. 0867
contextgallery.com



Description

Round with a light steel rod frame, and available in different sizes and heights, the Fat-Fat Outdoor small tables come in two versions: the first has a steel tray top painted to match the frame; the second has a marble-effect porcelain stoneware top in two finishes.

Technical information

Frame

steel profiles

Top

porcelain stoneware or steel sheet

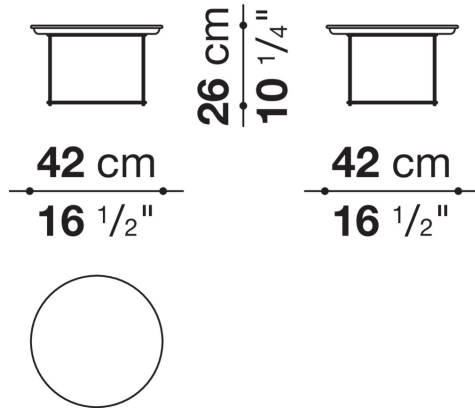
Tray

steel sheet

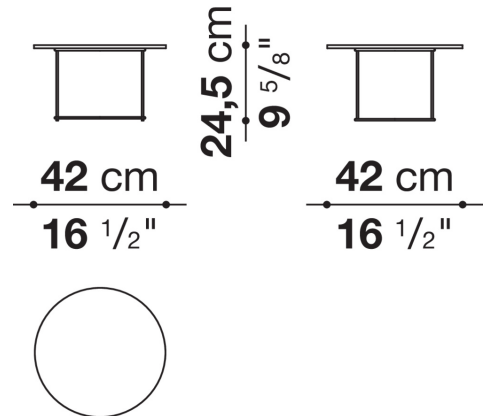
Ferrules

thermoplastic material

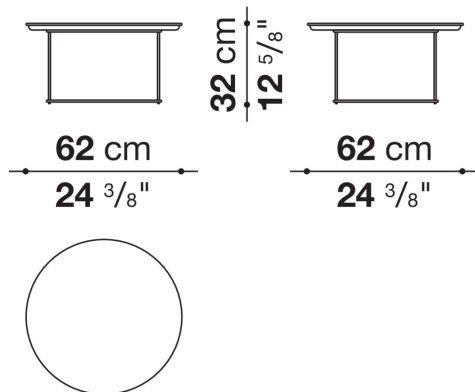
OTF42



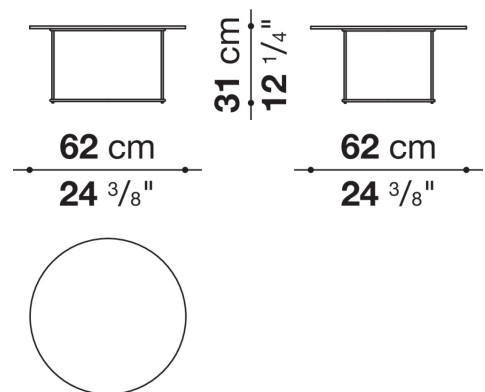
OTF42G



OTF62



OTF62G



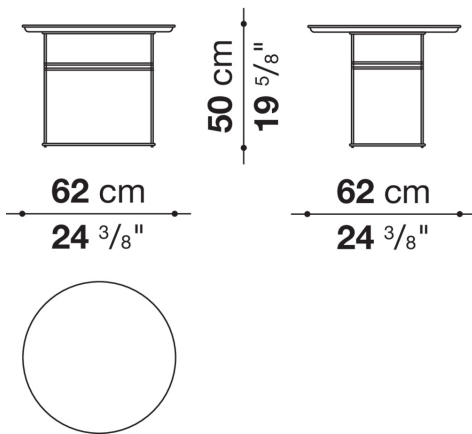
CONTEXT

ENQUIRIES
info@contextgallery.com

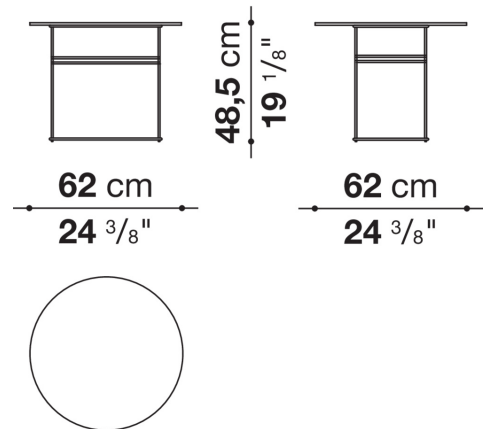
Tel. 404. 477. 3301
Tel. 800. 886.0867

contextgallery.com

OTF62A



OTF62AG



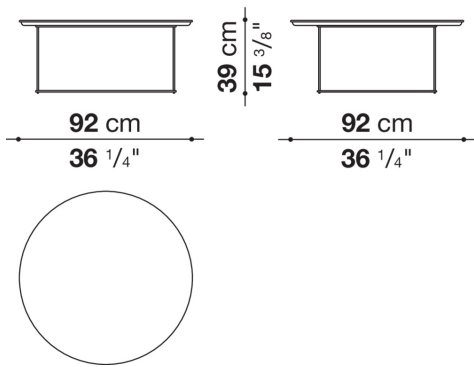
CONTEXT

ENQUIRIES
info@contextgallery.com

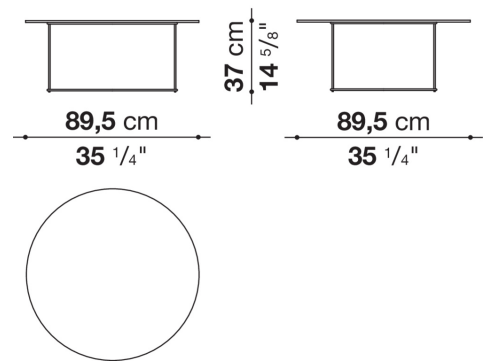
Tel. 404. 477. 3301
Tel. 800. 886.0867

contextgallery.com

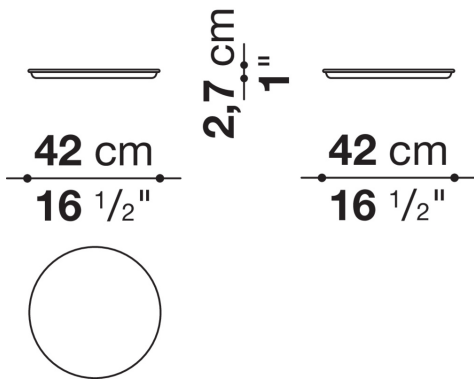
OTF92



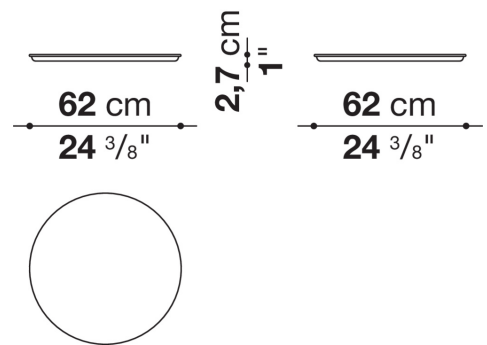
OTF92G



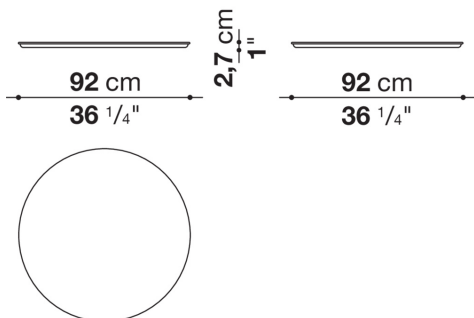
OF42V



OF62V



OF92V



CONTEXT

ENQUIRIES
info@contextgallery.com

Tel. 404. 477. 3301
Tel. 800. 886.0867

contextgallery.com