

# Fat-Fat

SMALL TABLES

2004

Patricia Urquiola

**CONTEXT**

ENQUIRIES  
info@contextgallery.com  
Tel. 404.477.3301  
Tel. 800.886.0867  
contextgallery.com



## Description

The theme of the tray is picked up to create three tables, whose lightness results from the steel frame. A fourth model, which is higher than the others, offers an extremely convenient surface when placed by the sofa.

Fat-fat side table can even be stacked.

## Technical information

**Support frame**

steel sheet and steel profiles

**Tray**

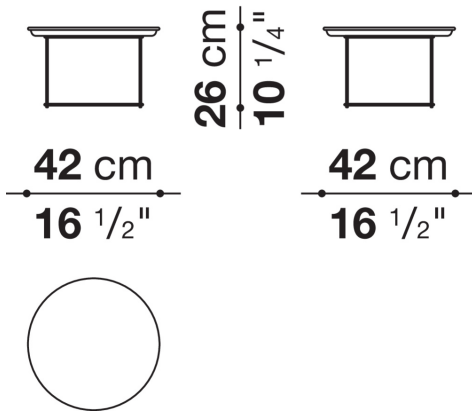
steel sheet

**Ferrules**

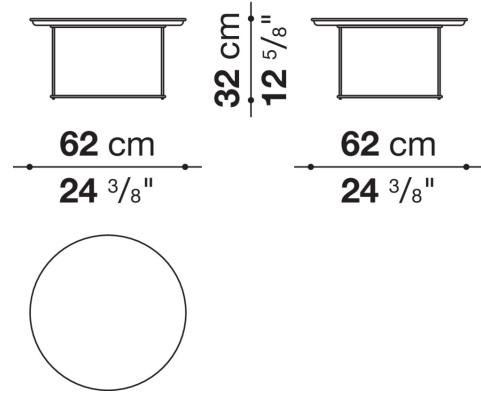
thermoplastic material

# Technical drawings

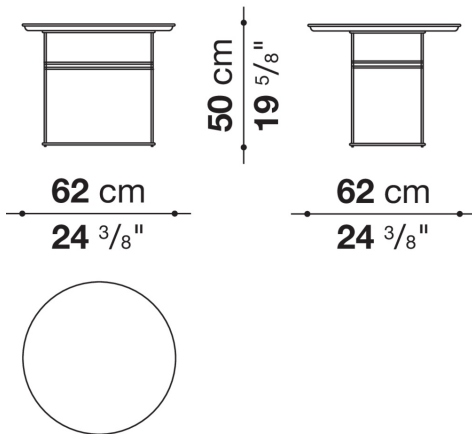
## TFF42



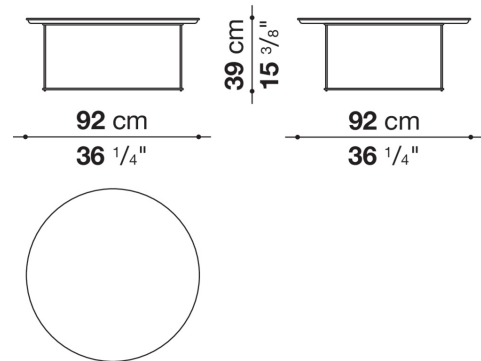
## TFF62



## TFF62A



## TFF92

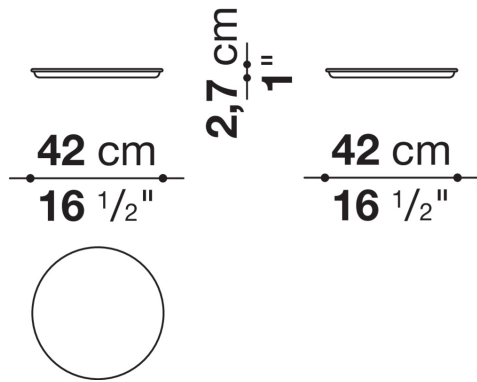


## CONTEXT

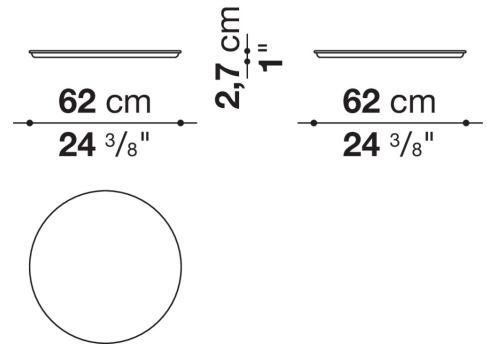
ENQUIRIES  
info@contextgallery.com

Tel. 404. 477. 3301  
Tel. 800. 886.0867

# VFF42



# VFF62

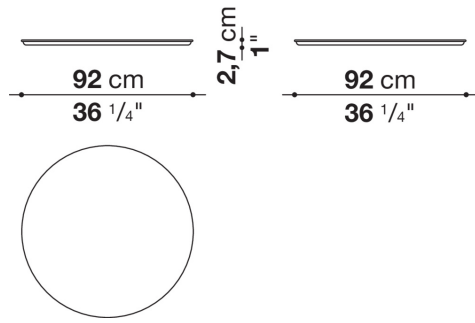


## CONTEXT

ENQUIRIES  
info@contextgallery.com

Tel. 404. 477. 3301  
Tel. 800. 886.0867

## VFF92



## CONTEXT

ENQUIRIES  
info@contextgallery.com

Tel. 404. 477. 3301  
Tel. 800. 886.0867