

FLUTZ CHAIR MICHAEL ANASTASSIADES



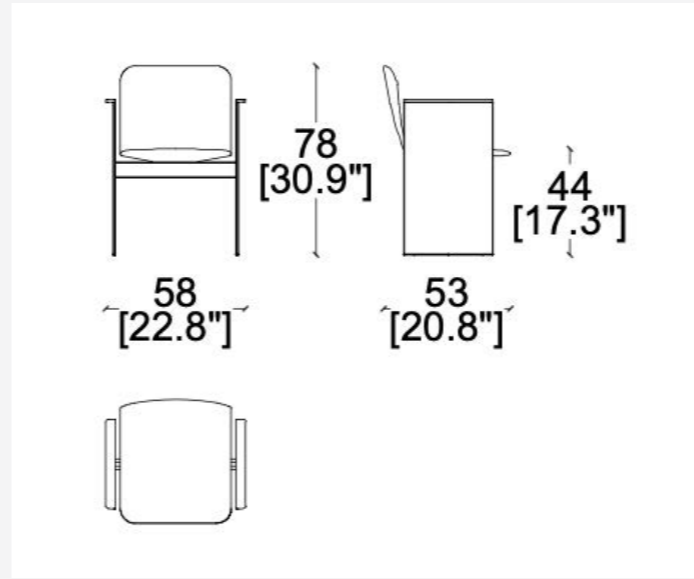
DESCRIPTION

Flutz is an oxymoron of materials inspired by the precise, flawless, and elegant movement of figure skating by Michael Anastassiades. The chair is the perfect fusion of a rigid, geometric structure and soft, inviting seating with armrests from aluminum sheets and a comfortable upholstered seat. Notably, the seat appears suspended thanks to the invisible blate connected by crosspieces. Comfortable and elegant, Flutz pairs perfectly with the Ordinal table, also by the Cyprian designer, rounding out his line of dining products.

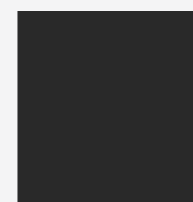
STRUCTURE

Frame: in aluminum, painted anthracite or black, or natural anodized
Padding: polyurethane padding encased in recycled PET batting
Upholstery: Removable, in fabric or leather from the Cassina Collections

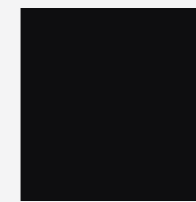
DIMENSIONS



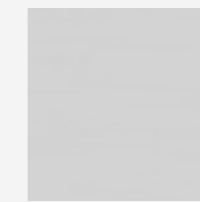
FINISHES



Mat Anthracite
Painted
Aluminum



Mat Black
Painted
Aluminum



Anodized
Aluminum

CONTEXT

ENQUIRIES
info@contextgallery.com

Tel. 404. 477. 3301
Tel. 800. 886.0867

contextgallery.com

