

Frank

OTTOMAN

2015

Antonio Citterio

CONTEXT

ENQUIRIES
info@contextgallery.com
Tel. 404. 477. 3301
Tel. 800. 886.0867
contextgallery.com



Description

Small additional seats or decorative elements, the Frank ottomans are available in two versions: with a high round cushions and steel structure in various finishes, or fully upholstered. For both types, the upholstery is available in fabric or leather.

The Frank ottoman adds a touch of elegance to the living room.

Technical information

Frame (FP40)

steel profiles

Upholstery (FP40)

multi-layered wood panel, shaped polyurethane, polyester fibre cover

Internal frame (F58P)

tubular steel and steel profiles

Internal frame upholstery (F58P)

Bayfit® flexible cold shaped polyurethane foam, polyester fibre cover

Ferrules (FP40)

plastic material

Cover

fabric or leather

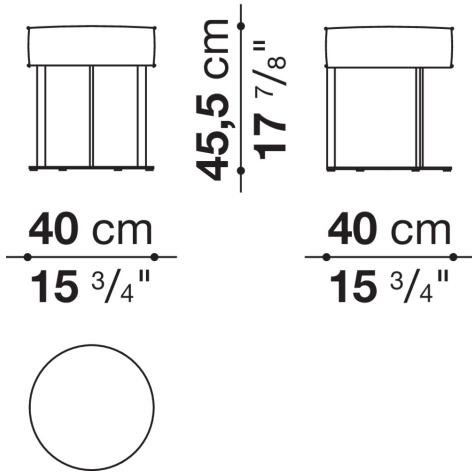
CONTEXT

ENQUIRIES
info@contextgallery.com

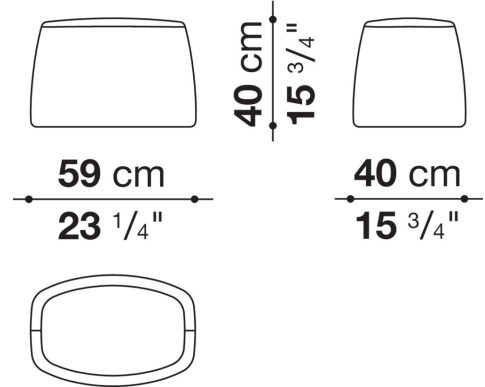
Tel. 404. 477. 3301
Tel. 800. 886.0867

Technical drawings

FP40



F58P



CONTEXT

ENQUIRIES
info@contextgallery.com

Tel. 404. 477. 3301
Tel. 800. 886. 0867