

Frank Outdoor

OTTOMAN

2019

Antonio Citterio

CONTEXT

ENQUIRIES
info@contextgallery.com
Tel. 404.477.3301
Tel. 800.886.0867
contextgallery.com



Description

Small additional seats or decorative elements, the Frank Outdoor ottomans are very flexible pieces. They are upholstered in fabric with tone-on-tone or contrasting profiles.

Technical information

Internal frame

tubular steel and steel profiles

Upholstery

Bayfit® flexible cold shaped polyurethane foam, water repellent polyester fibre cover (with heat-sealed ribbon)

Ferrules

thermoplastic material

Waterproof cover cloth

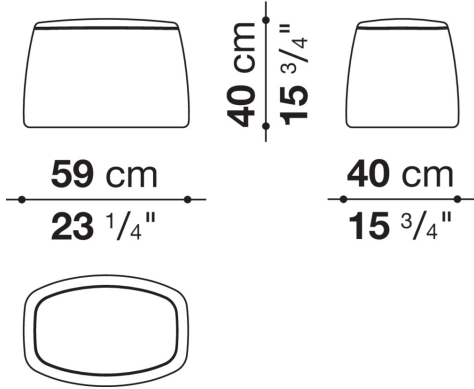
PES fabric coated on one side in PU

Cover

fabric in limited categories (with profile)

Technical drawings

OF58P



CONTEXT

ENQUIRIES
info@contextgallery.com

Tel. 404. 477. 3301
Tel. 800. 886.0867

contextgallery.com