

FRONZONI '64

A.G.Fronzoni

cappellini



Chair designed in 1964, made of metal square tube with seat in lacquered wood. Available matt lacquered in white or anthracite.

Used materials

Seat:

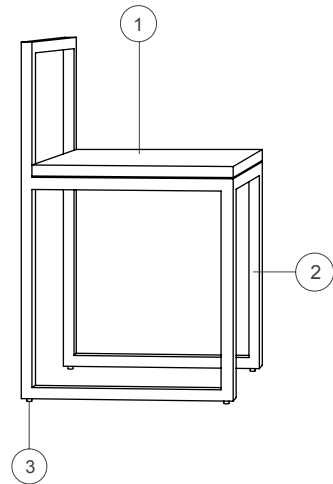
1. Panel conglomerate fiber medium density wood, matt lacquered in white or anthracite

Base:

2. Metal pipe of square section with rectangular plate, powder-coated white or anthracite

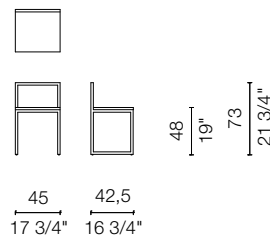
Feet:

3. Black plastic



Dimensions

FR11





CONTEXT

ENQUIRIES
info@contextgallery.com

349 Peachtree Hills Ave
Suite B2
Atlanta, GA 30305
contextgallery.com
contextcontract.com

Tel. 404. 477. 3301
Tel. 800. 886.0867

Cap Design S.p.A.
via Busnelli, 5
I-20821 Meda (MB)

tel. +39 0362372486
www.cappellini.it
cappellini@cappellini.it