

FRONZONI '64

A.G.Fronzoni

cappellini



Armchair with white or anthracite matt lacquered metal structure, springy on wooden slats. Seat and cushions upholstered in polyurethane foam and removable cover in white or black cotton, synthetic leather (Ecopelle) or leather.

Materials used_

Structure:

1. Square metal section, finishing in matt lacquer white or anthracite

Cushion padding:

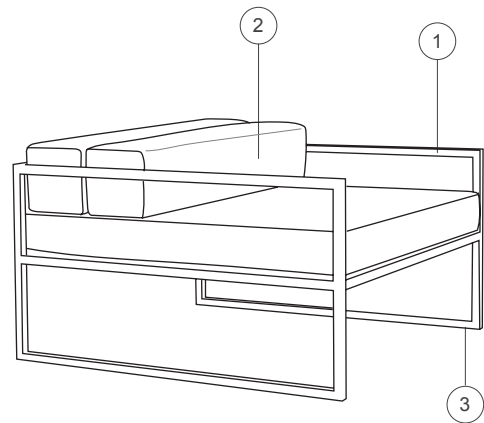
2. Polyurethane foam, with cover removable in Ecoleather white B08 or black B34, Coton white 139 or black 140, Leather G white 900 or black 908

Springing system:

Covered tulipier slats

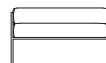
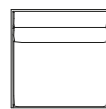
Feet:

3. Black rubber tips



Dimensions_

FR41



42
16 1/2" 62
24 1/2"

100
39 1/4"

100
39 1/4"



CONTEXT

349 Peachtree Hills Ave
Suite B2
Atlanta, GA 30305
contextgallery.com
contextcontract.com

ENQUIRIES
info@contextgallery.com

Tel. 404.477.3301
Tel. 800.886.0867

Cap Design S.p.A.
via Busnelli, 5
I-20821 Meda (MB)

tel. +39 0362372486
www.cappellini.it
cappellini@cappellini.it