
Febo

CHAISE LONGUE

Antonio Citterio



Description

Febo is a family of sofas and armchairs that carries with it the memory of a traditional design distinguished by a large enveloping back without armrests. The sofas come in two sizes: a smaller one with low or high seat cushion and a larger one. The family is completed by elegant armchairs distinguished by back that can be low or high or more or less enveloping. These are available in a single material, in fabric or leather, with visible blanket stitch.

Technical information

Internal frame:

tubular steel and steel profiles

Internal frame upholstery:

Bayfit® (Bayer®) flexible cold shaped polyurethane foam, polyester fibre cover

Seat cushion upholstery:

shaped polyurethane, sterilized down, polyester fibre cover

Back cushion (FB40-FB60):

upholstery : down feather + polyester fibre, typology : box style

Legs and base-frame:

solid wood: grey oak, brushed light oak, brushed black oak or smoked stained oak

Legs cover:

bronzed nickel painted or bright chromed thermoplastic material

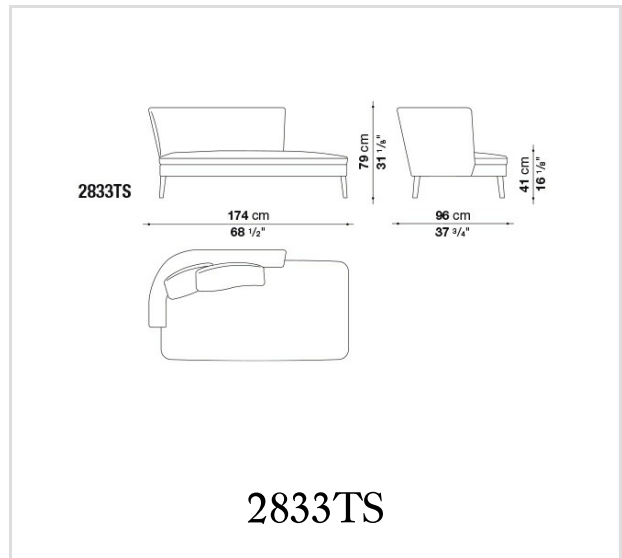
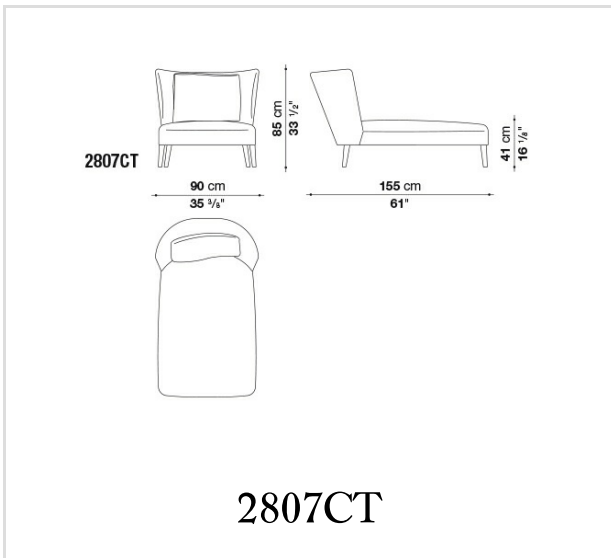
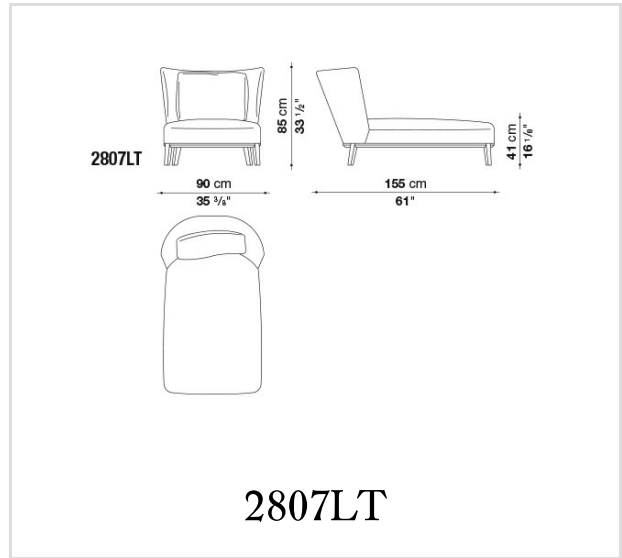
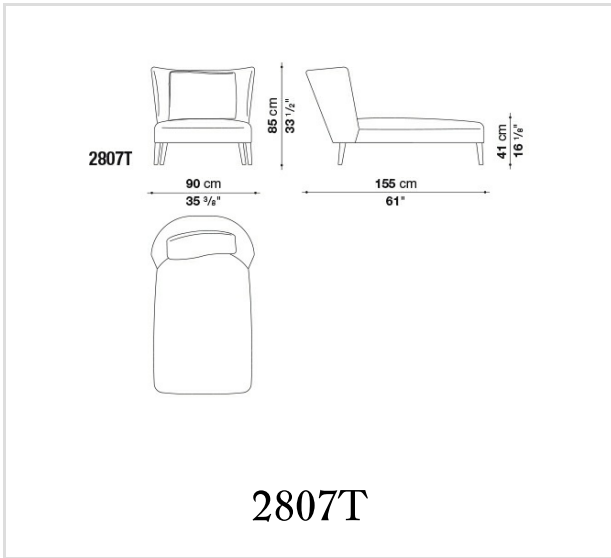
Ferrules:

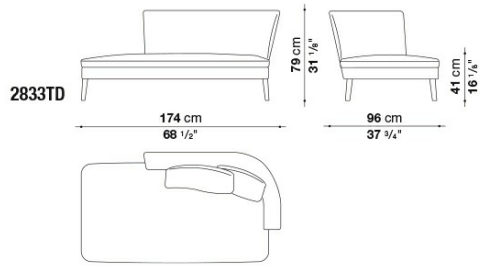
thermoplastic material

Cover:

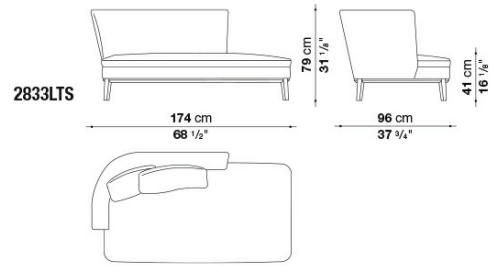
fabric (blanket stitch) or leather (blanket stitch or raised stitch)

Technical drawings

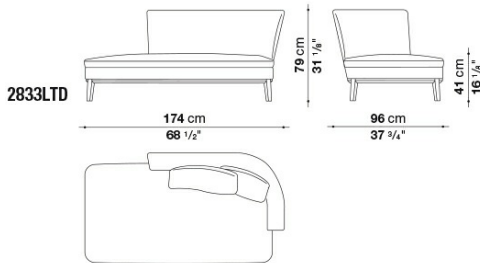




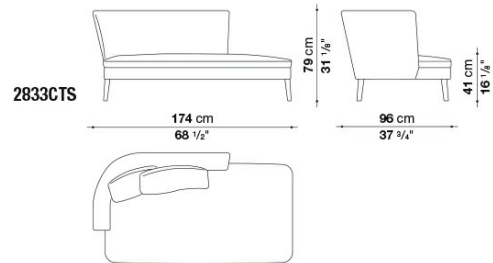
2833TD



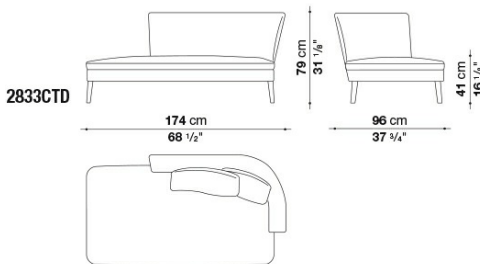
2833LTS



2833LTD



2833CTS



2833CTD

B&B Italia reserves the right to make technological and aesthetic improvements to its models, including changes to the sizes and materials, without notice. The technical drawings do not define the details of the product. The measurements shown are indicative and may undergo changes. In particular, the dimensions relevant to the padded parts are subject to usage tolerances over time caused by the normal adjustment of the padding. For the specific information, please contact the dealer closest to you.