

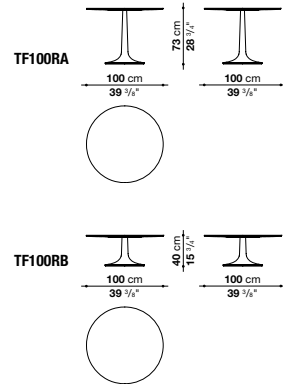
# Fiore

DESIGNED BY NAOTO FUKASAWA

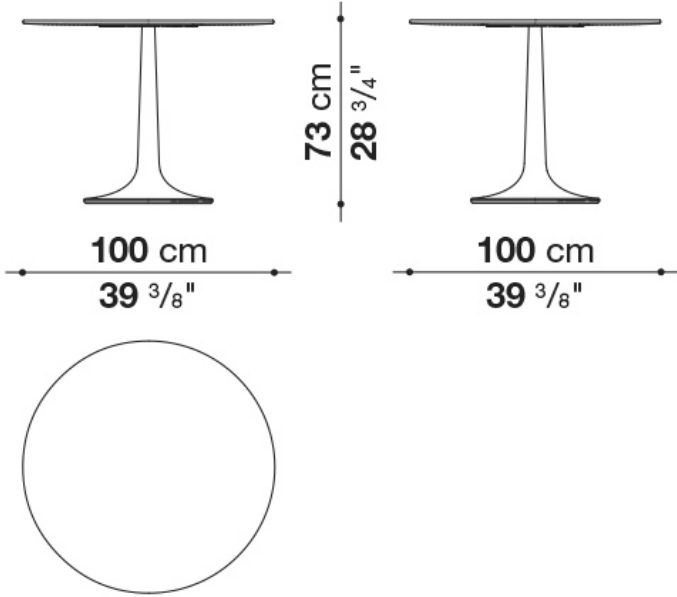
Fiore is a collection of dining tables with small sizes and small tables that stand out for their perfect formal balance and for the striking texture of their cement finish, available in white cement finish through this program.



White cement



**TF100RA**



**TF100RB**

