

---

# Ginepro

TABLES

2020

Antonio Citterio

**CONTEXT**

ENQUIRIES  
info@contextgallery.com  
Tel. 404. 477. 3301  
Tel. 800. 886.0867  
contextgallery.com



## Description

---

The Ginepro table is made with an anthracite painted aluminium structure and a Serpentine stone top, extremely durable and precious. With its two shapes (round and rectangular with rounded corners) and different dimensions, it lends itself to be placed in different outdoor environments: terraces, verandas, patios and gardens.

## Technical information

---

**Top**

Serpentine stone

**Frame**

die-cast aluminium and extrusions with polyurethane painting

**Ferrules**

thermoplastic material

**Waterproof cover cloth**

PES fabric coated on one side in PU

## CONTEXT

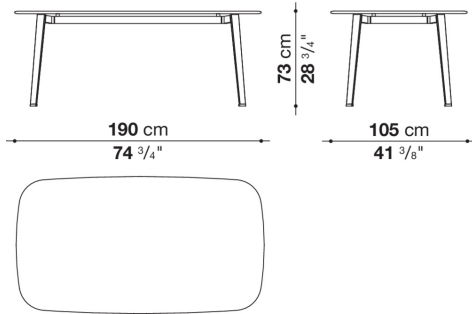
ENQUIRIES  
[info@contextgallery.com](mailto:info@contextgallery.com)

Tel. 404. 477. 3301  
Tel. 800. 886.0867

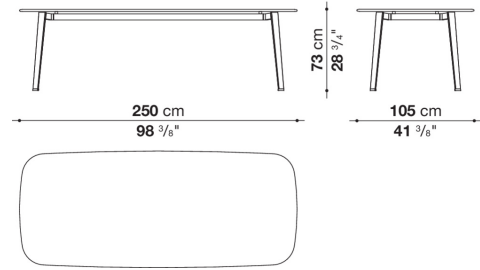
[contextgallery.com](http://contextgallery.com)

# Technical drawings

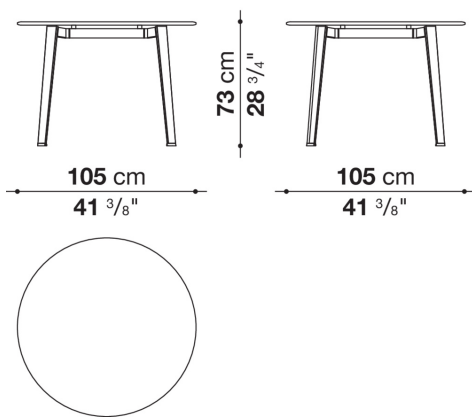
**TGS190**



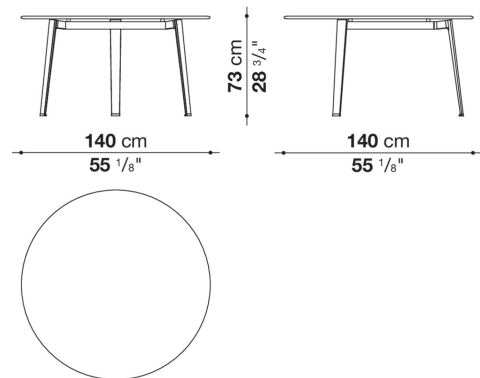
**TGS250**



**TGS105R**



**TGS140R**



## CONTEXT

ENQUIRIES  
info@contextgallery.com

Tel. 404. 477. 3301  
Tel. 800. 886.0867

contextgallery.com