

Gio

SMALL TABLES

2016

Antonio Citterio

CONTEXT

ENQUIRIES
info@contextgallery.com
Tel. 404. 477. 3301
Tel. 800. 886.0867
contextgallery.com



Description

Rectangular and available in four sizes, the Gio small tables for outdoor use feature a contemporary classic soul. The frame and slatted tops are in solid teakwood in a special antique grey finish, which grants the wood a particular lived-in look with silver grey reflections.

Technical information

Frame and top

solid wood

Ferrules

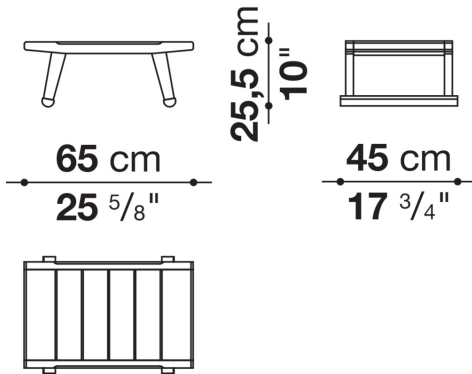
thermoplastic material

Waterproof cover cloth

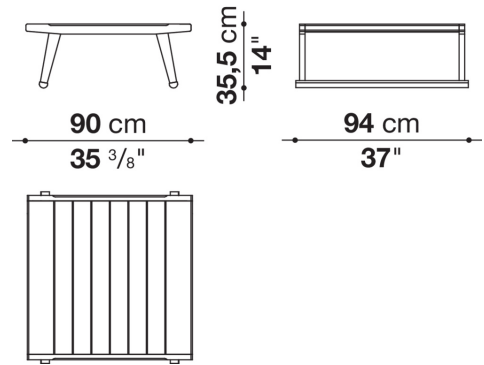
PES fabric coated on one side in

Technical drawings

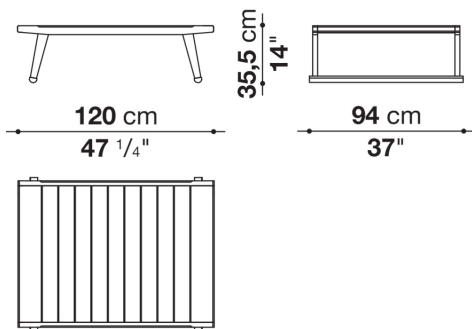
TGO6



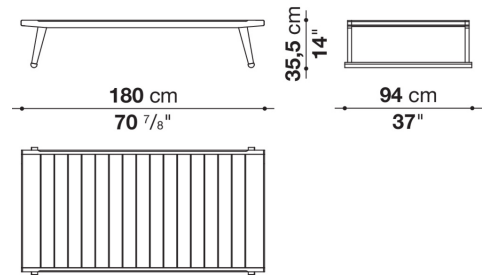
TGO9



TGO12



TGO18



CONTEXT

ENQUIRIES
info@contextgallery.com

Tel. 404. 477. 3301
Tel. 800. 886.0867

contextgallery.com