

Harbor Laidback

ARMCHAIRS

2021

Naoto Fukasawa

CONTEXT

ENQUIRIES
info@contextgallery.com
Tel. 404. 477. 3301
Tel. 800. 886.0867
contextgallery.com



Description

Harbor Laidback is a versatile and innovative armchair that redefines the concept of relaxation continuing the tradition of the Harbor armchairs, a classic it shares the origin of the inverted truncated cone shape and the harmonious and flowing line. Equipped with a swivel aluminium base with four spokes, Harbor Laidback has an unprecedented mechanism, perfectly hidden in the frame, that allows the simultaneous movement of the backrest and the seat. To control the movement, all you have to do is operate a lever strategically placed between the cushion and the armrest: once you have reached the most comfortable position, you release the lever and the backrest stops at the desired angle. To increase the feeling of well-being, the seat accompanies the backrest and moves almost unnoticeably. Harbor Laidback also features a height-adjustable upholstered headrest, distinguished by its distinctive counterweight, and can be combined with a cosy matching footrest and a round ottoman with removable wood tray. The upholstery is available in leather or fabric embellished with an elegant saddle stitch that recalls the sophistication of saddlery and underlines the harmony of the shapes. The zip that crosses the backrest is an aesthetic and functional element that once again reveals the harmony with the Harbor family. In terms of form and materials, the identity of Harbor Laidback is born hybrid, adaptable to work environments as well as purely domestic spaces. The calibrated proportions and the height of the top of the seat make Harbor Laidback the ideal place to use a computer or tablet, to have a video call or enjoy a movie, to concentrate on a report or to retreat with a good book.

Technical information

Internal frame

tubular steel and steel profiles

Internal frame upholstery

Bayfit® flexible cold shaped polyurethane foam, polyester fibre cover

Base-frame and handle

die-cast aluminium

Swivel support frame

galvanized steel

Synchronized reclining mechanism

galvanized steel laminate

Locking activation device

plastic material

Headrest (HLB_P)

shaped polyurethane, polyester fibre, cotton cover, counterweight in anodized aluminium and steel

Ferrules

thermoplastic material

Cover

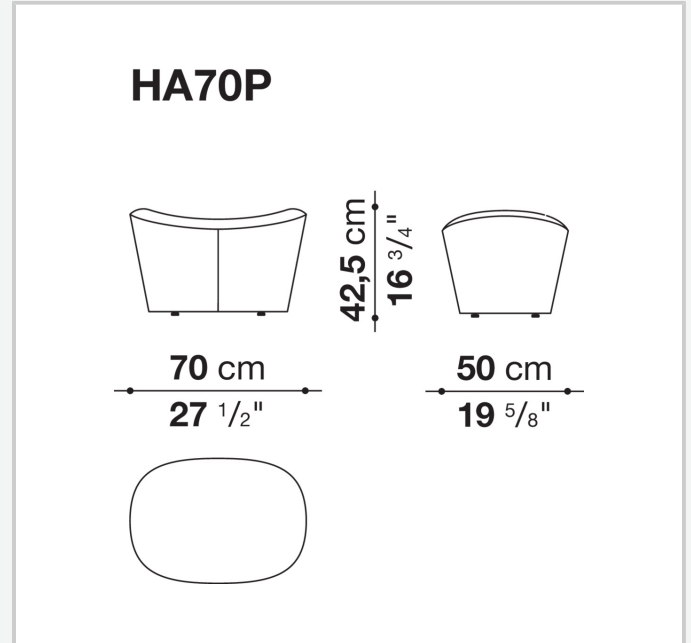
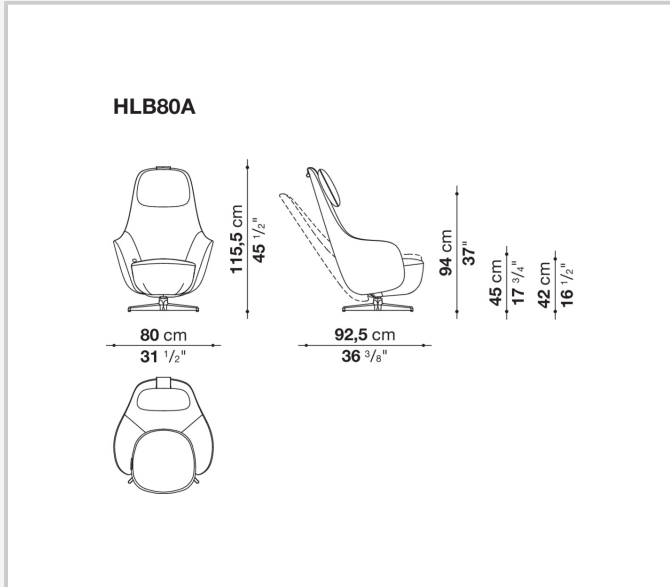
fabric (double needle lapped seams) or leather (double needle lapped seams or sellier topstitch seams)

CONTEXT

ENQUIRIES
info@contextgallery.com

Tel. 404. 477. 3301
Tel. 800. 886.0867

Technical drawings



CONTEXT

ENQUIRIES
info@contextgallery.com

Tel. 404. 477. 3301
Tel. 800. 886.0867