

Harry

ARMCHAIRS

1995

Antonio Citterio

CONTEXT

ENQUIRIES
info@contextgallery.com
Tel. 404. 477. 3301
Tel. 800. 886. 0867
contextgallery.com



Description

The Harry armchair, named after Harry Bertolia, one of the great masters of design, is devoted to comfort due to the perfect relationship between the inclination of the backrest and the seat. The most distinctive element, common to all the sofas of the same series are the feet – a small detail capable of granting a light, modern personality to a product with a rather traditional appearance. The cover is available either in fabric or in leather.

Technical information

Internal frame

tubular steel and steel profiles

Internal frame upholstery

Bayfit® flexible cold shaped polyurethane foam, polyester fibre cover

Seat cushion upholstery

shaped polyurethane of different density, sterilized down, cotton cover

Back cushion upholstery

shaped polyurethane, sterilized down, polyester fibre, cotton cover

Feet

aluminium sheet and extrusions

Cover

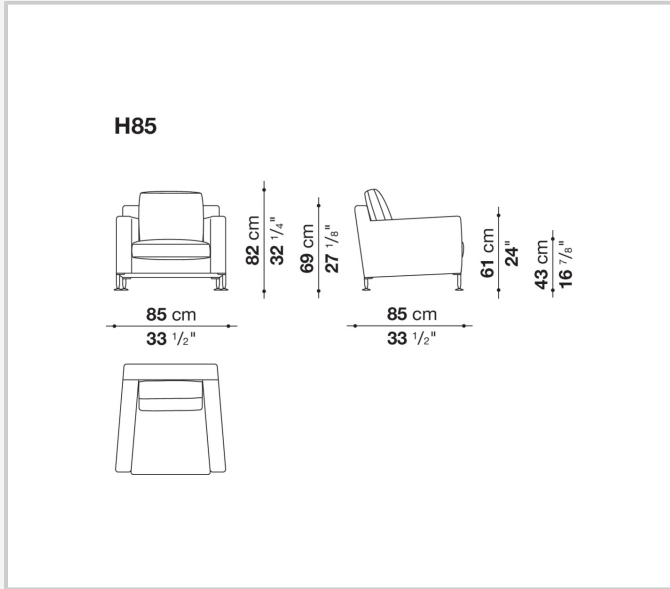
fabric or leather

CONTEXT

ENQUIRIES
info@contextgallery.com

Tel. 404. 477. 3301
Tel. 800. 886.0867

Technical drawings



CONTEXT

ENQUIRIES
info@contextgallery.com

Tel. 404. 477. 3301
Tel. 800. 886.0867