

# Husk Outdoor

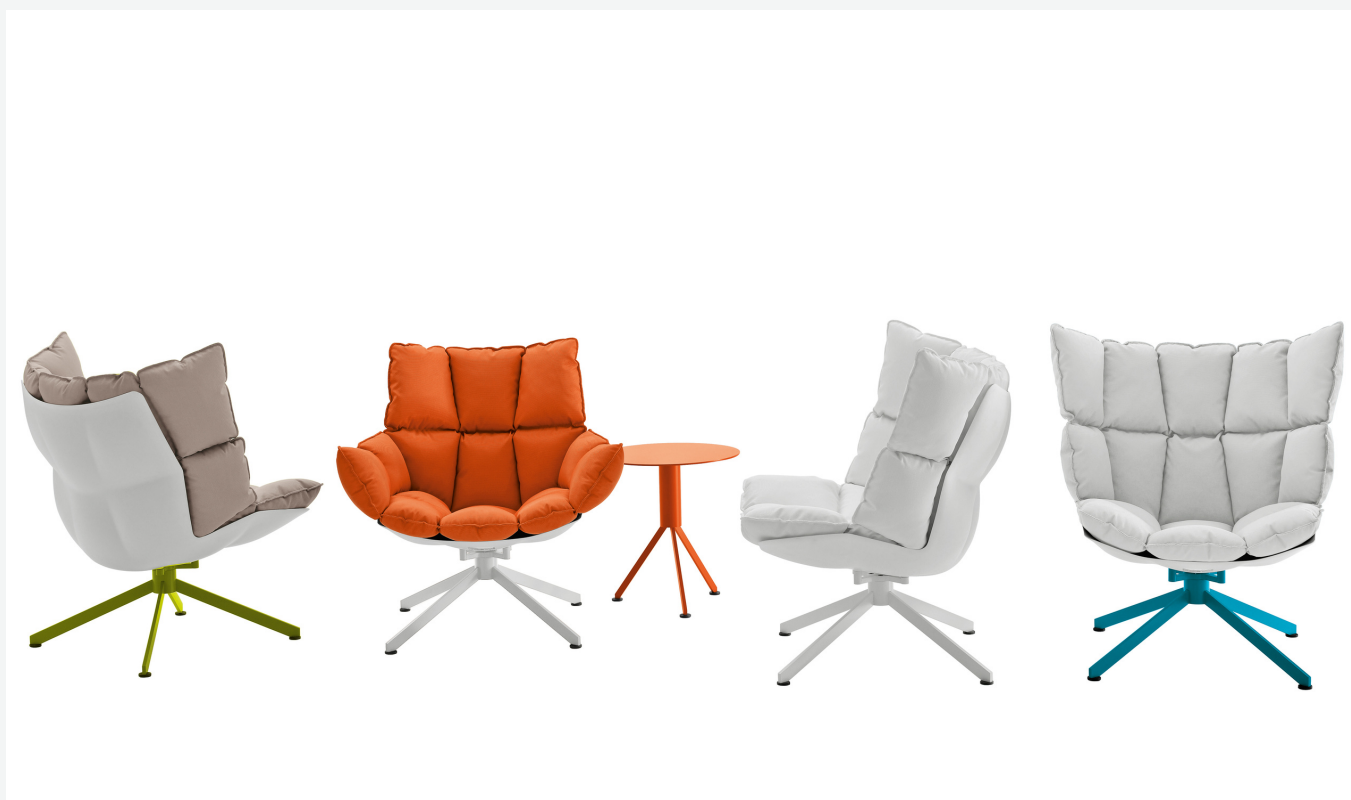
ARMCHAIRS

2011

Patricia Urquiola

**CONTEXT**

ENQUIRIES  
info@contextgallery.com  
Tel. 404. 477. 3301  
Tel. 800. 886.0867  
contextgallery.com



## Description

Comfort and eco-sustainability are the key words for describing the Husk Outdoor chairs. A collection that is a tribute to softness and an invitation to relax thanks to the generous extra soft cushions with a capitonné design. The hard shell is made of Hirek®, a special plastic material made up of recycled and recyclable polymers. The shell is in one colour, while the fixed seat support is available in different colours. The cushions come in two versions, with larger sizes on the seat or on the back.

## Technical information

**Shell**

Hirek® plastic material

**Upholstery**

polyester fibre, cover in water repellent polyester fibre

**Base-frame**

aluminium profiles with polyester powder painting

**Ferrules**

plastic material and stainless steel

**Waterproof cover cloth**

PES fabric coated on one side in PU

**Cover**

fabric in limited categories

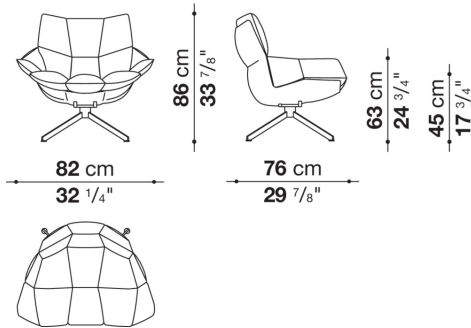
## CONTEXT

ENQUIRIES  
info@contextgallery.com

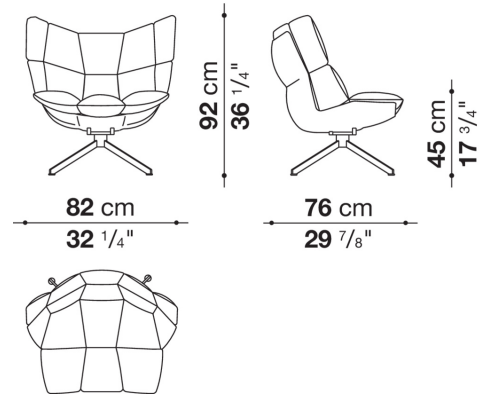
Tel. 404. 477. 3301  
Tel. 800. 886.0867

# Technical drawings

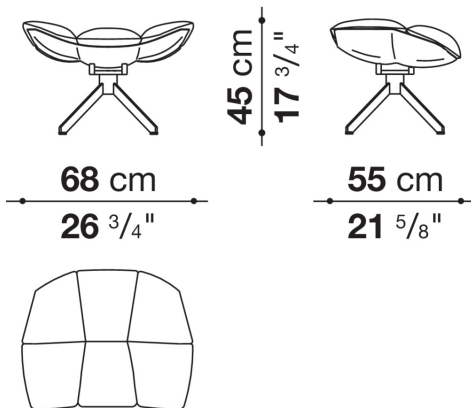
## H4



## H2



## HP1



## CONTEXT

ENQUIRIES  
info@contextgallery.com

Tel. 404. 477. 3301  
Tel. 800. 886.0867