

---

# Husk

SMALL TABLES

*Patricia Urquiola*



## Description

Designed to accompany the Husk bed, it is useful in domestic environments with its design based on a circular metal tray lightly resting on solid die-cast supports. Painted white or black, the top also has a copper finish as homage to an ancient material that was once associated with classical aesthetics, and which has been revisited today with modern sensitivity.

---

## Technical information

### Top:

bronzed nickel painted, black painted or with burnished copper finish steel sheet

### Support frame:

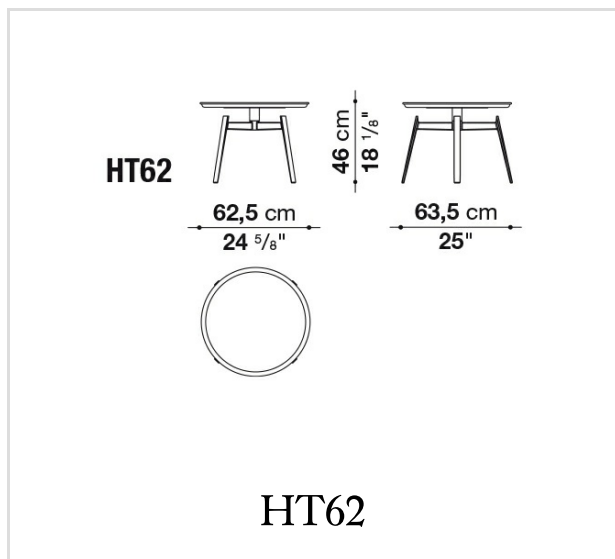
bronzed nickel painted or painted black chrome steel sheet and die-cast aluminium

### Ferrules:

plastic material

---

# Technical drawings



B&B Italia reserves the right to make technological and aesthetic improvements to its models, including changes to the sizes and materials, without notice. The technical drawings do not define the details of the product. The measurements shown are indicative and may undergo changes. In particular, the dimensions relevant to the padded parts are subject to usage tolerances over time caused by the normal adjustment of the padding. For the specific information, please contact the dealer closest to you.