
Husk-Sofa

SOFAS

2014

Patricia Urquiola

CONTEXT

ENQUIRIES
info@contextgallery.com
Tel. 404. 477. 3301
Tel. 800. 886.0867
contextgallery.com



Description

Warm and comfortable, Husk-Sofa is born from the overturning of the traditional construction process of a sofa: it is in fact its soft and flexible parts that have structural qualities. It has a deep seat and comes in two sizes. Its important volume is made lighter by the supports available in different finishes, while the loose down cushions increase its comfort. Refined and informal at the same time, Husk-Sofa revisits the tradition of Chesterfield sofas and addresses the theme of capitonné quilting in a contemporary version.

Technical information

Internal frame

tubular steel and steel profiles

Internal frame upholstery

Bayfit® flexible cold shaped polyurethane foam, polyester fibre cover

Back cushion (HS55-HS55C)

down feather and polyester fibre, pillow style typology

Feet

die-cast aluminium

Ferrules

thermoplastic material

Cover

fabric

CONTEXT

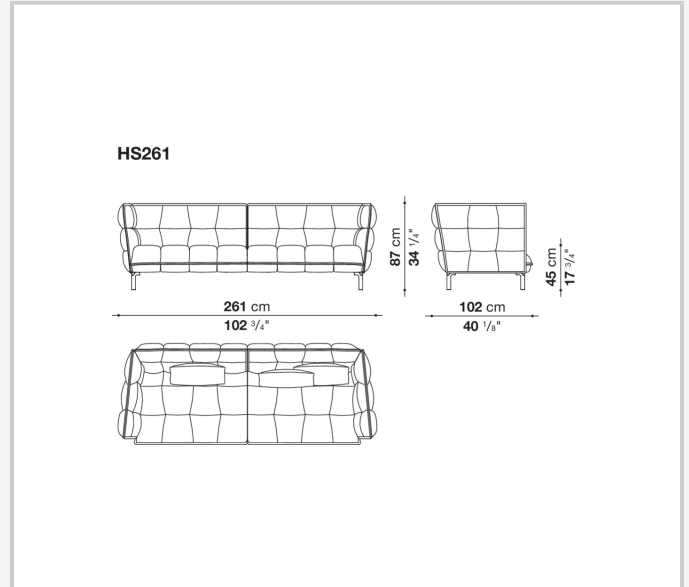
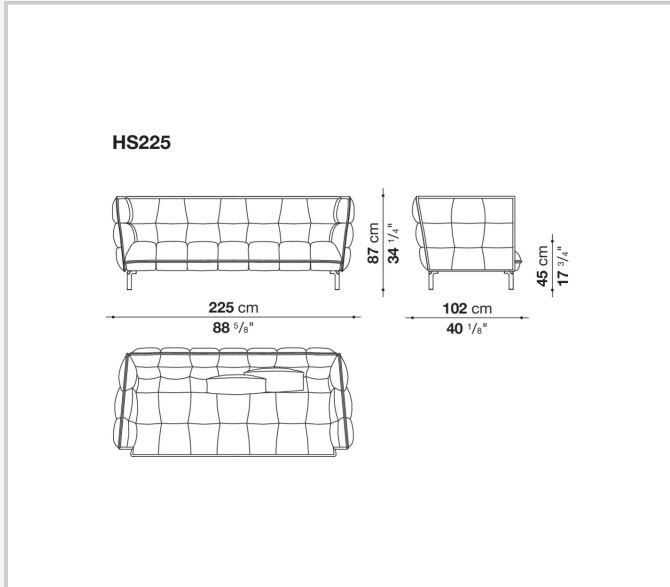
ENQUIRIES

info@contextgallery.com

Tel. 404. 477. 3301

Tel. 800. 886.0867

Technical drawings



CONTEXT

ENQUIRIES
info@contextgallery.com

Tel. 404. 477. 3301
Tel. 800. 886.0867