
Husk-Sofa

SOFAS

Patricia Urquiola



Description

Warm and comfortable, Husk is the perfect example of how to reverse the construction process of a sofa. Its structure in fact is created by the softer, flexible parts. Husk is available in two sizes. They both have a deep seat, although the shorter version combines the seat with a backrest, whereas in the longer version, the two cushioned components are separated. Its generous volume is made lighter by the different finishes of its supporting components, while the down feather cushions grant maximum comfort. Elegant and casual at the same time, it changes its appearance whether it is covered with solid colour or mélange fabrics. Husk is not a place you sit on, rather you sit in. You are greeted by its embrace, never losing contact with what surrounds you.

Technical information

Internal frame:

tubular steel and steel profiles

Internal frame upholstery:

Bayfit® (Bayer®) flexible cold shaped polyurethane foam, polyester fibre cover

Seat upholstery:

Bayfit® (Bayer®) flexible cold shaped polyurethane foam, polyester fibre cover

Back cushion (HS55-HS55C):

upholstery : down feather + polyester fibre, typology : pillow style

Feet:

bronzed nickel painted or with burnished copper finish die-cast aluminium

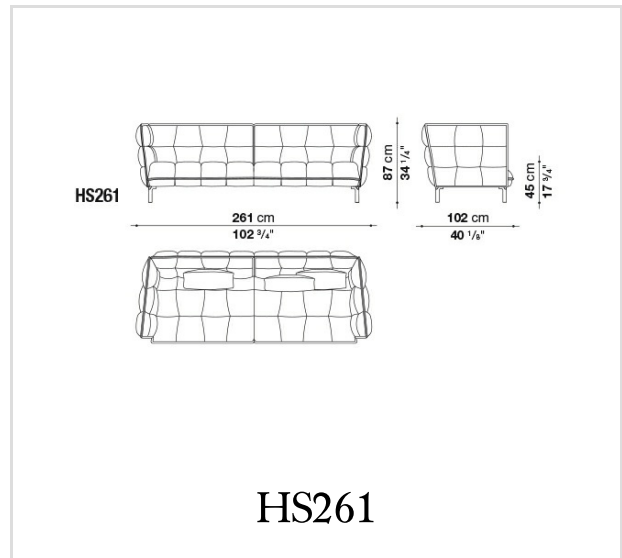
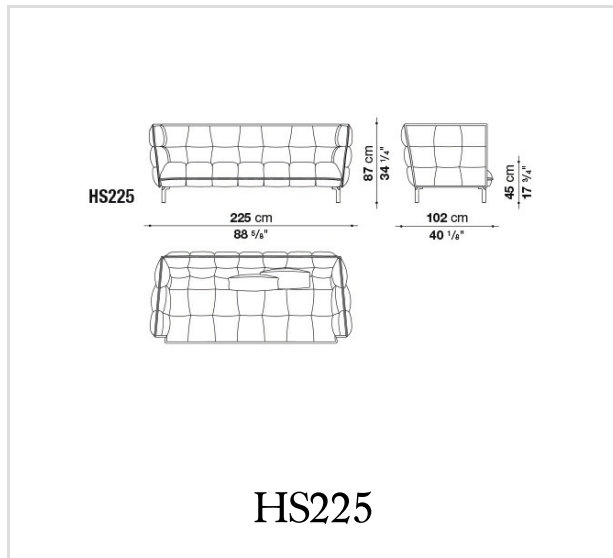
Ferrules:

thermoplastic material

Cover:

fabric

Technical drawings



B&B Italia reserves the right to make technological and aesthetic improvements to its models, including changes to the sizes and materials, without notice. The technical drawings do not define the details of the product. The measurements shown are indicative and may undergo changes. In particular, the dimensions relevant to the padded parts are subject to usage tolerances over time caused by the normal adjustment of the padding. For the specific information, please contact the dealer closest to you.