

---

# J.J.

ARMCHAIRS

Antonio Citterio



## Description

The J.J. family presents armchairs with a different look and a wide variety of materials: with a steel-rod structure supporting a wooden frame, they convey a certain degree of lightness. Entirely made of thermo-treated ash wood, they hint at traditional aesthetics. Details are carefully studied for every armchair as the polypropylene ribbons that design the backrest. There is also an armchair fitted with a sleigh, the expression of the traditional rocking chair that becomes glamorous when it is attired in long haired Mongolian lamb fur.

---

## Technical information

### Shell

solid wood

### Webbing

polypropylene

### Upholstery

shaped polyurethane

### Armrests (PJ85FN-PJ99FN-PJ99DN)

leather, steel sheet

### Headrest (PJP)

polyester fibre, cotton cover, steel sheet counterweight

### Support frame (PJ85FN-PJ99FN-PJ99DN)

drawn steel

### Support frame (PJ85LN-PJ99LN)

solid wood

### Sledge legs (PJ99DN)

solid wood

### Ferrules

thermoplastic material

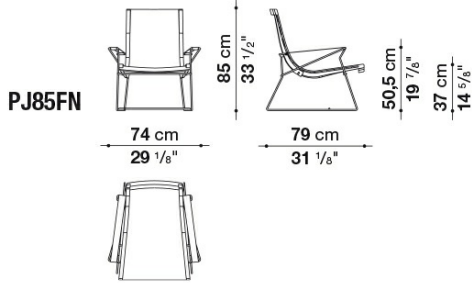
### Cover

leather

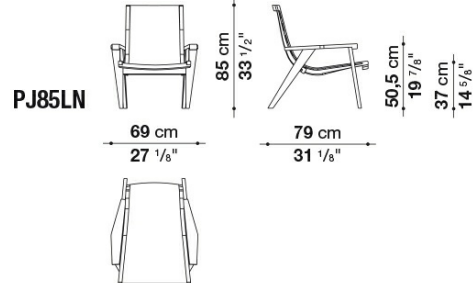
### Cover (PJ99FAN-PJ99LAN-PJ99DAN)

leather and Mongolian lamb fur

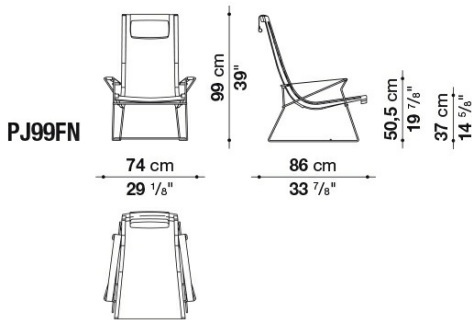
# Technical drawings



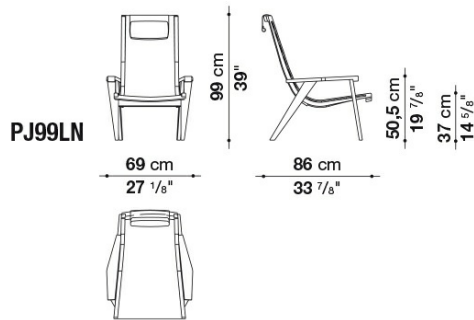
PJ85FN



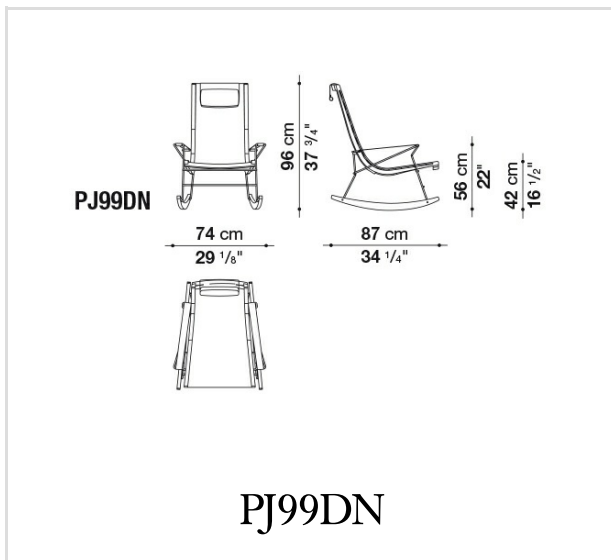
PJ85LN



PJ99FN



PJ99LN



B&B Italia reserves the right to make technological and aesthetic improvements to its models, including changes to the sizes and materials, without notice. The technical drawings do not define the details of the product. The measurements shown are indicative and may undergo changes. In particular, the dimensions relevant to the padded parts are subject to usage tolerances over time caused by the normal adjustment of the padding. For the specific information, please contact the dealer closest to you.