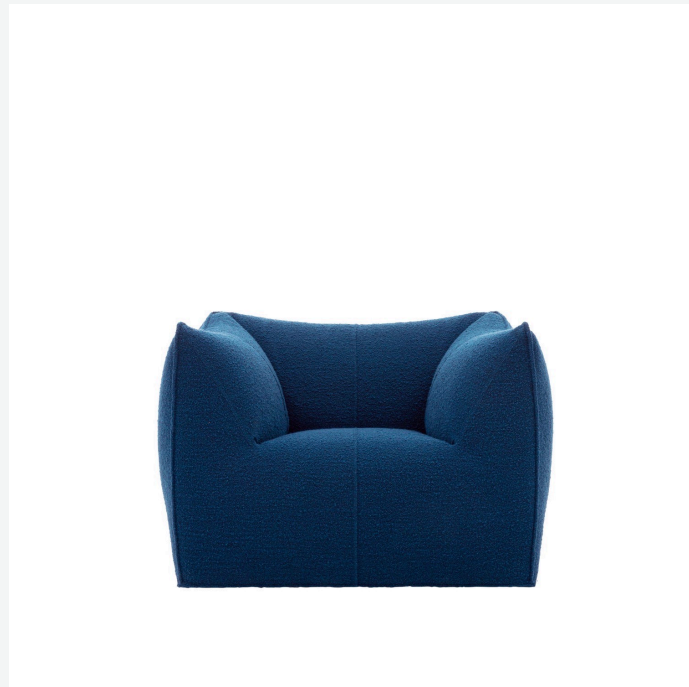


Bambola

LOUNGE CHAIR

2022

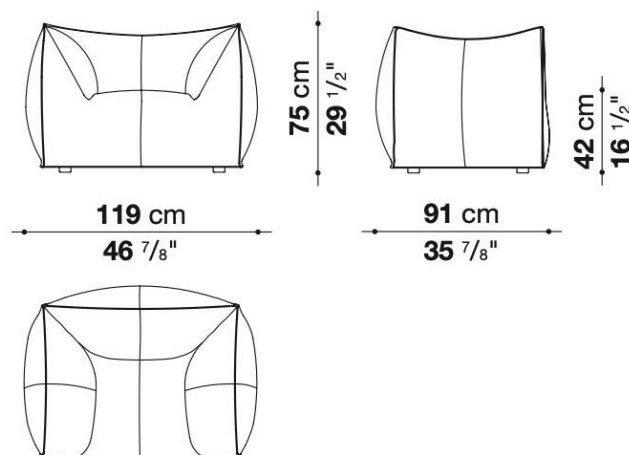
Mario Bellini

Description

The Bambola single-seat armchair is a part of the Le Bambole series, originally designed in 1972 by Mario Bellini, and received numerous awards throughout the decade including the Compasso d'Oro in 1979. Since, Le Bambole have become icons of timeless contemporaneity and one of the most effective expressions of Made in Italy excellence combining research and creative flair. What makes them special is the apparent absence of a load bearing structure, the extreme naturalness of the shape, and the combination of comfort, softness, and elasticity that their appearance conveys. Where the original construction was based on a metal structure embedded in polyurethane, now the materials used are of the latest generation, starting with recycled polyethylene gives structure. A sustainable project thanks to the choice of materials and the construction method, that allows the components of Le Bambole to be completely disassembled and therefore easily recyclable. The underside base is 100% jute textile. All pieces in the Le Bambole sofa Collection are available with a choice of numerous upholstery cover options in both textiles and leather.

Bambola

LBA1



CONTEXT

ENQUIRIES
info@contextgallery.comTel. 404. 477. 3301
Tel. 800. 886.0867contextgallery.com
contextcontract.com