

Le Bambole x Stella McCartney

ARMCHAIRS

2022

Mario Bellini



Description

The Stella McCartney x B&B Italia capsule collection (armchair, two-seater sofa and three-seater sofa) is marking the British conscious pioneer's first-ever interiors collaboration. The armchair features a hand-drawn "Fungi Forest" print upholstery pulled from the Stella McCartney Summer 2022 runway collection and a responsible construction inspired by shared sustainability values. The collaboration was successfully introduced at Stella McCartney's "Future of Fashion" material innovation installation during Milan Design Week in June 2022. The partnership was born of Stella's long-time personal passion for Bellini's works and celebrates Le Bambole's 50th anniversary. Made with circularity in mind, the new Le Bambole is designed to be fully disassembled - allowing for easier repairs and the most responsible use of materials at the end of life. The Stella McCartney x B&B Italia capsule also introduces a new sustainable innovation exclusively developed by the design company's R&D team: Le Bambole's upholstery is a 100% biodegradable and toxin-free polyester leaving no harmful microplastics in the environment.

Technical information

Upholstery

flexible cold shaped polyurethane foam, polyester fibre cover

Elastic section

thermoplastic elastomer or expanded polyurethane

Frame

polyethylene

Feet cover

nylon

Ferrules

thermoplastic material

Cover

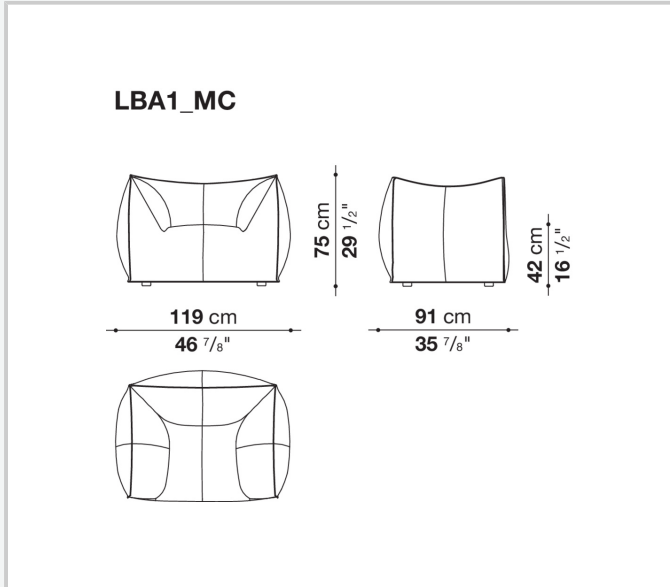
fabric Stella McCartney

CONTEXT

ENQUIRIES
info@contextgallery.com

Tel. 404. 477. 3301
Tel. 800. 886. 0867

Technical drawings



CONTEXT

ENQUIRIES
info@contextgallery.com

Tel. 404. 477. 3301
Tel. 800. 886.0867