

## CONTEXT GALLERY

# Link Outdoor

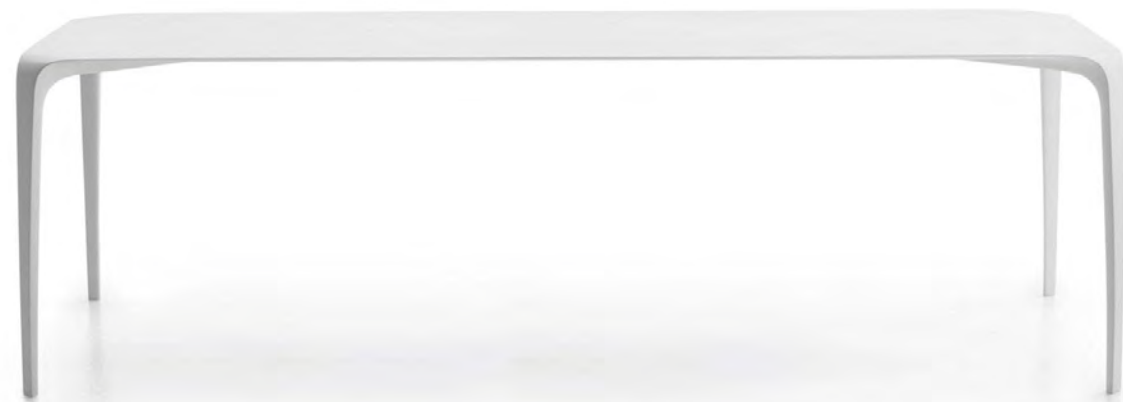
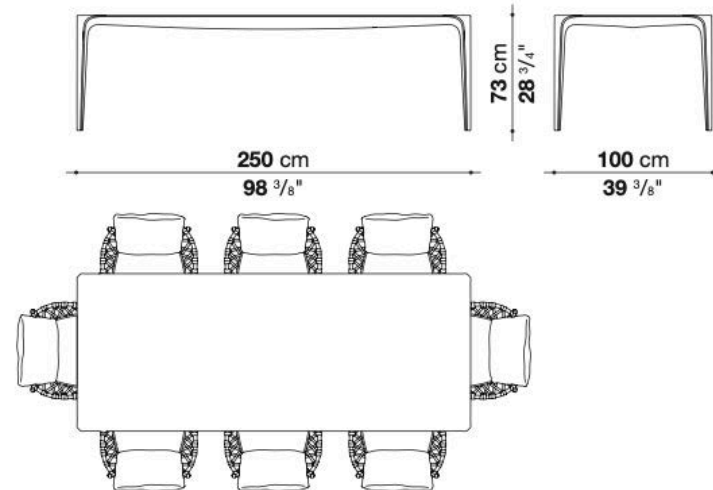
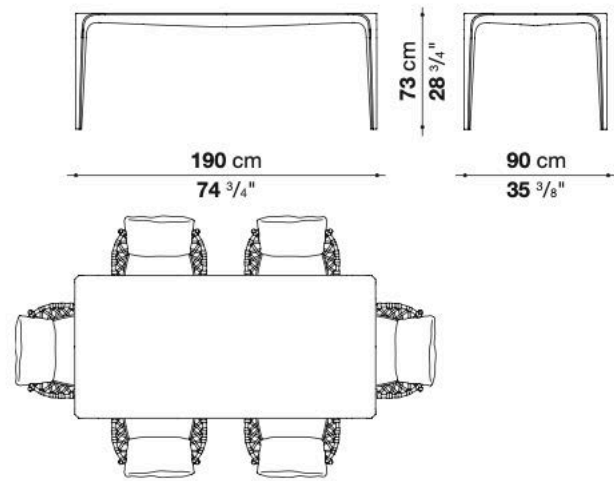
DESIGNED BY JAKOB WAGNER

ENQUIRIES  
info@contextgallery.com  
Tel. 404. 477. 3301  
Tel. 800. 886.0867  
contextgallery.com

A single piece, moulded, continuous, with no joints. The Link's distinguishing feature is its "soft" texture and the sensuality of its shape and material. Made of Cristalplant Outdoor®, the table is cast in a single mould and does not require connecting elements. The Link comes in a rectangular model which is produced only in a white colour.



**0101G**  
**White Cristalplant Outdoor®**



**Dining Table**  
**(waterproof cover included)**  
TLK190N - TLK250N -

