

Link Outdoor

CONTEXT

TABLES

2009

Jakob Wagner

ENQUIRIES

info@contextgallery.com

Tel. 404. 477. 3301

Tel. 800. 886.0867

contextgallery.com



Description

One-of-a-kind, moulded in a continuous, joint-free shape, the Link Outdoor table stands out for its pure design and soft materiality. It is made from a practical technological material: a special Cristalplant® compound with a soft-touch effect of considerable sensory impact. Suitable for indoor and outdoor use.

Technical information

Top and legs

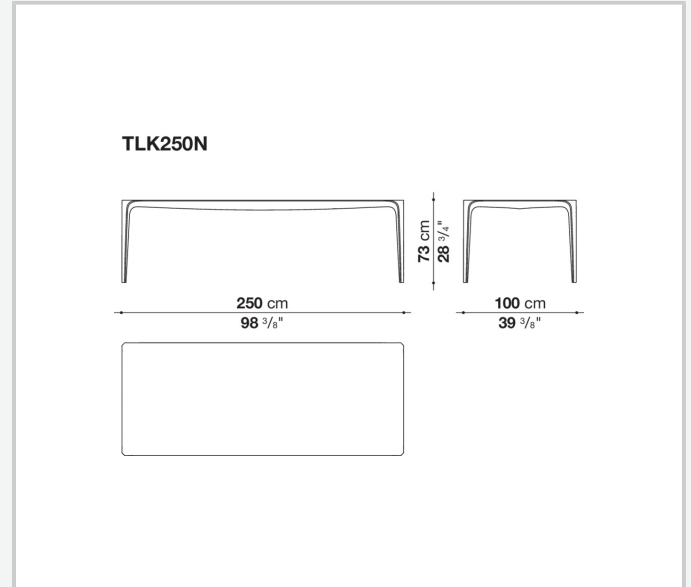
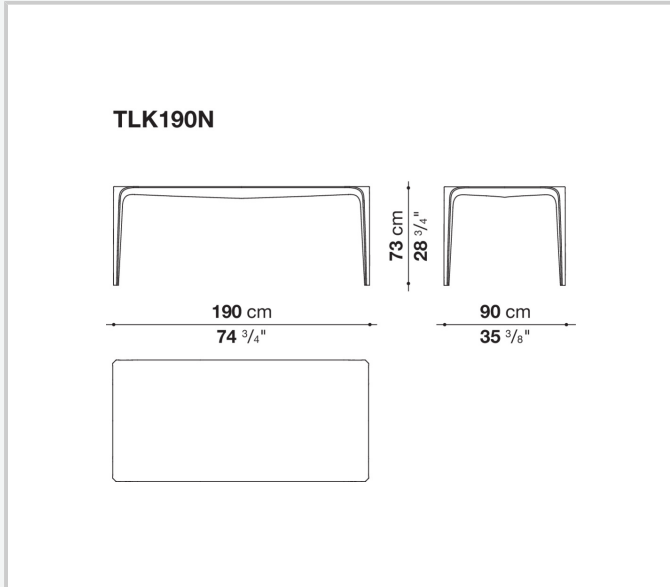
Cristalplant Outdoor®

(natural mineral filler of phosphate of aluminium with polyester acrylate resin)

Waterproof cover cloth

PES fabric coated on one side in PU

Technical drawings



CONTEXT

ENQUIRIES
info@contextgallery.com

Tel. 404. 477. 3301
Tel. 800. 886.0867