
Le Bambole '07

SOFAS

Mario Bellini



Description

Icon of modern design, one of the most effective expressions of Made in Italy that combines research and creative flair, Le Bambole has provided a very personal answer to the theme of seats, which issue from a single block that contains, as if 'sculptured' into a single material, backrest, seat and armrest. Comfortable shapes without stiff supports in which traditional elements merge into one as established by the designer who wanted to reproduce "a living body, pleasant to touch and embrace, soft and safe".

Technical informations

Internal frame:

tubular steel and steel profiles

Internal frame upholstery:

Bayfit® (Bayer®) flexible cold shaped polyurethane foam, polyester fibre cover

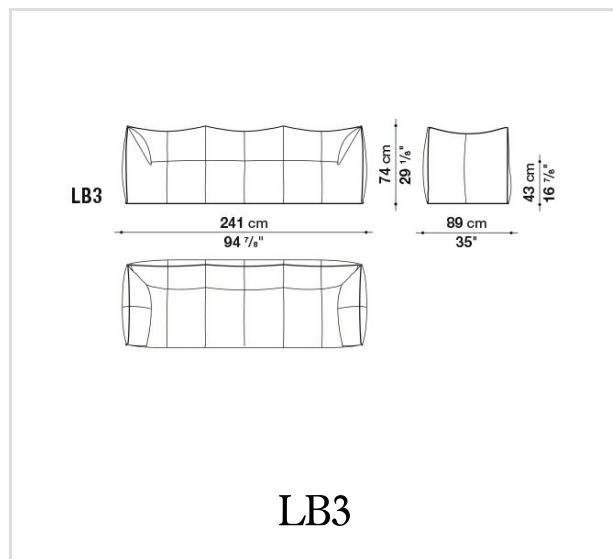
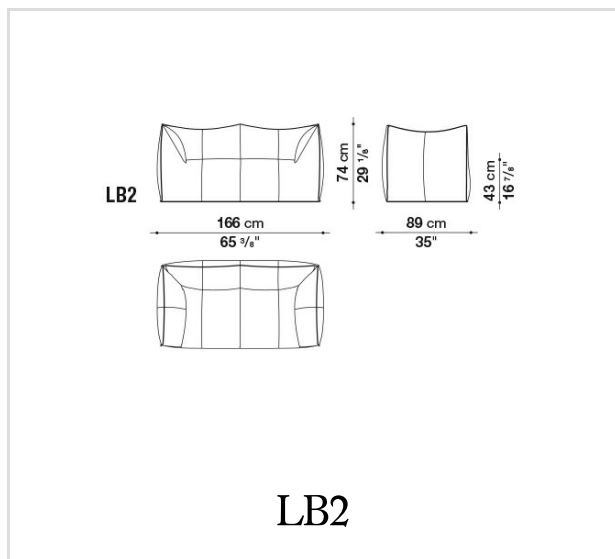
Bottom base:

100% jute fabric

Cover:

fabric or leather in limited categories

Technical drawings



B&B Italia reserves the right to make technological and aesthetic improvements to its models, including changes to the sizes and materials, without notice. The technical drawings do not define the details of the product. The measurements shown are indicative and may undergo changes. In particular, the dimensions relevant to the padded parts are subject to usage tolerances over time caused by the normal adjustment of the padding. For the specific information, please contact the dealer closest to you.