

# Mera

SMALL TABLES

2012

Antonio Citterio

**CONTEXT**

ENQUIRIES  
info@contextgallery.com  
Tel. 404.477.3301  
Tel. 800.886.0867  
contextgallery.com



## Description

Series of small tables with a transversal character that allows you to easily combine them with both the most traditional sofas and modern sofas. Available in various sizes and heights, they have a marble top and a steel structure, both to be chosen from various finishes.

## Technical information

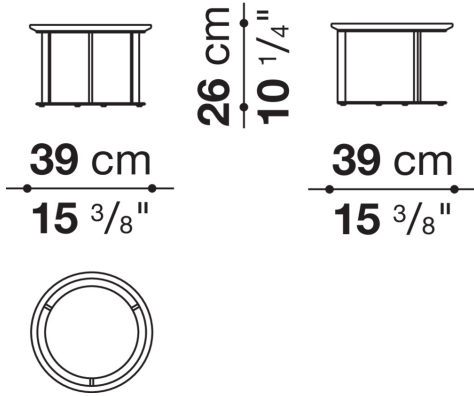
**Top**  
marble (natural finish or glossy polyester finish)

**Top (MTL)**  
solid wood

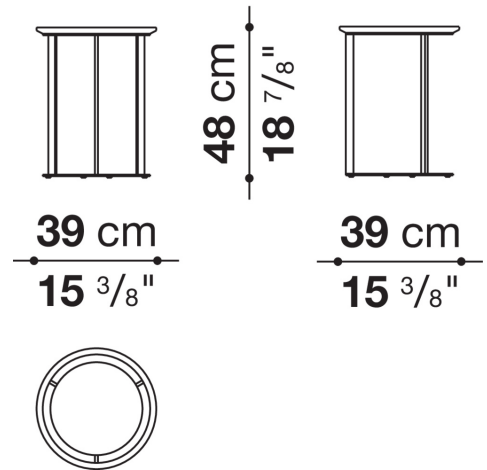
**Frame**  
steel profiles

**Ferrules**  
plastic material

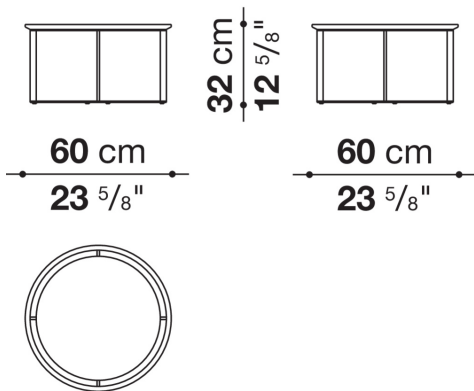
## MTR39B



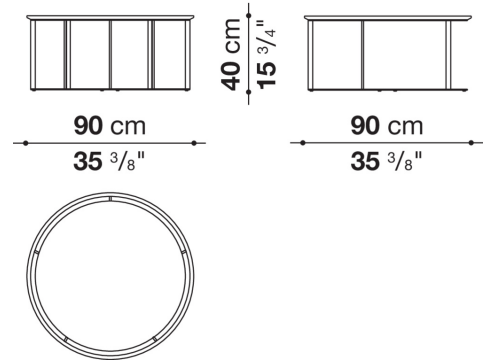
## MTR39A



## MTR60



## MTR90

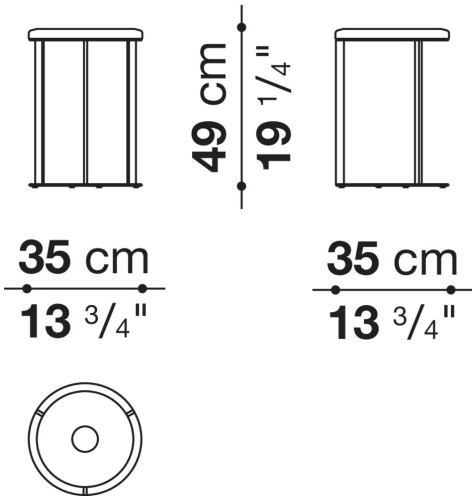


## CONTEXT

ENQUIRIES  
info@contextgallery.com

Tel. 404. 477. 3301  
Tel. 800. 886.0867

# MTL



# CONTEXT

ENQUIRIES  
info@contextgallery.com

Tel. 404. 477. 3301  
Tel. 800. 886.0867