

Metropolitan

ARMCHAIRS

2002

Jeffrey Bernett

CONTEXT

ENQUIRIES
info@contextgallery.com
Tel. 404.477.3301
Tel. 800.886.0867
contextgallery.com



Description

The seat that flows uninterruptedly into the armrests is the hallmark of this small armchair and relaxation chair. The former, with aluminium swivel base and four spokes, combines elegance and comfort. The latter, which is also swivel and has a matching ottoman, is larger with a headrest with magnet for adjustments. For the Metropolitan armchair there are two aluminium bases available, one with four spokes and one circular.

Technical information

Internal frame

tubular steel and steel profiles

Internal frame upholstery

Bayfit® flexible cold shaped polyurethane foam, polyester fibre cover

Seat cushion upholstery

shaped polyurethane, polyester fibre, polyester fibre cover

Seat cushion upholstery (ME84-ME84_L)

shaped polyurethane of different density, polyester fibre cover

Lumbar and headrest cushion upholstery

polyester fibre, cotton cover

Headrest fixing tools

magnets

Support frame (ME100)

aluminium laminate and extrusions

Support frame (ME100_1-ME84-ME62_1)

die-cast aluminium and extrusions

Support frame (ME62)

drawn steel

Base-frame (ME100_1L-ME84_L)

drawn steel and wood

Ferrules

thermoplastic material

Cover

fabric or leather

CONTEXT

ENQUIRIES

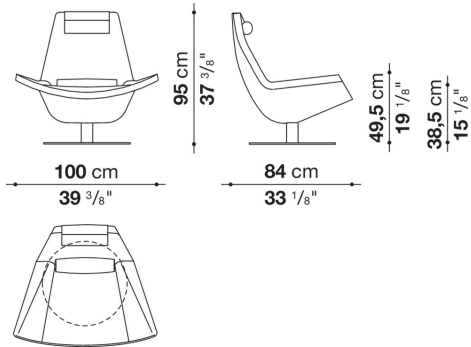
info@contextgallery.com

Tel. 404. 477. 3301

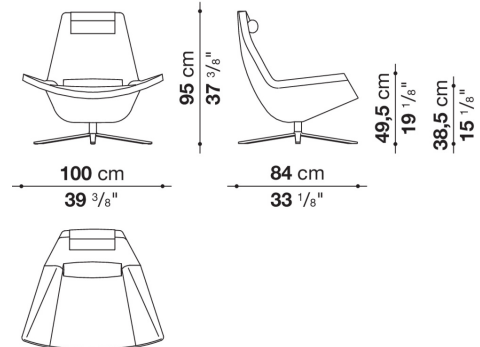
Tel. 800. 886.0867

Technical drawings

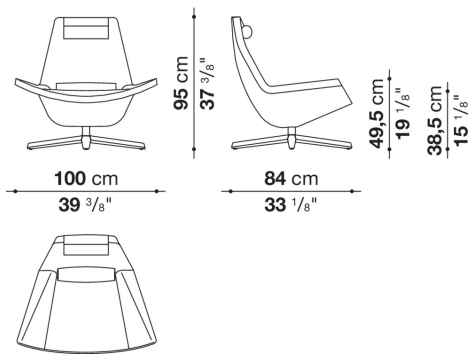
ME100



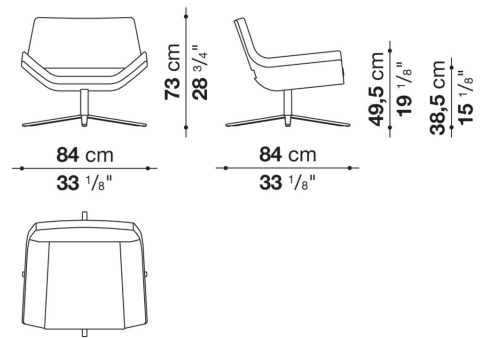
ME100_1



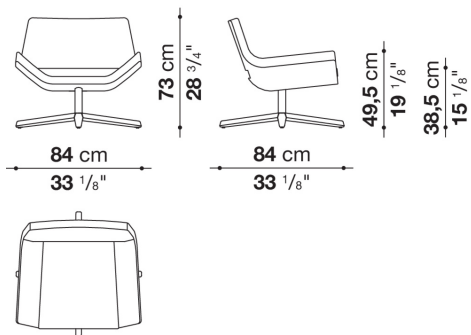
ME100_1L



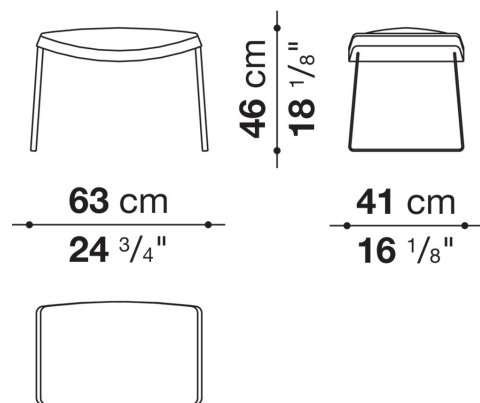
ME84



ME84_L

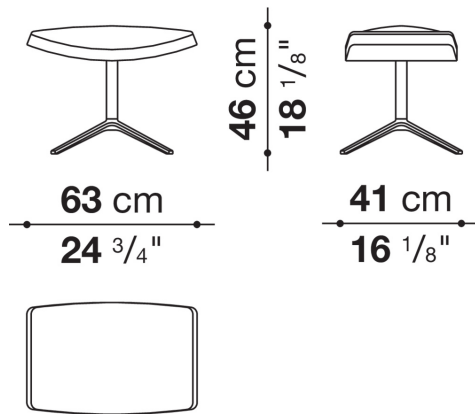


ME62



CONTEXT

ME62_1



CONTEXT

ENQUIRIES
info@contextgallery.com

Tel. 404. 477. 3301
Tel. 800. 886. 0867

contextgallery.com