

Mex Cube Seating System

Designed by Piero Lissoni

Mex Cube sofa designed by Piero Lissoni sets out to be a system marked by extreme versatility. It is a modular seating system, available in two depths that can be combined, with or without back rest and armrests. Different shapes and functions allow for countless possible compositions: corner, straight, island, with opposite seats, with carefully designed sizes and proportions, trace the personal gestures of everyday living.



13F741
Fortuny Blue Notte



13F745
Fortuny Cemento



13F740
Fortuny Carta da Zucchero

available combination

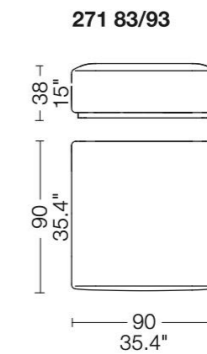
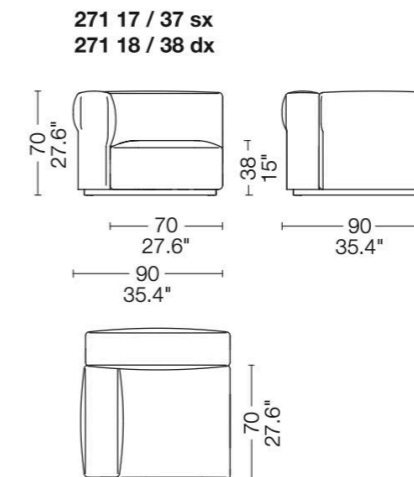
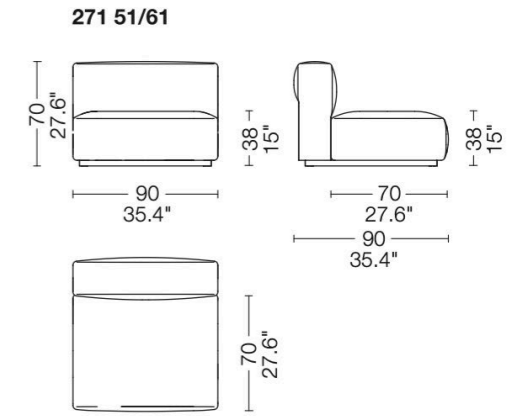
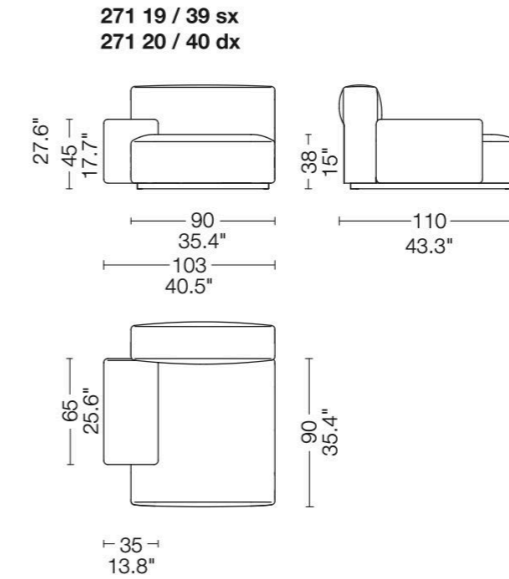
271 83 Ottoman unit
271 17 Armchair unit short left back
271 51 Center unit
271 51 Center Unit
271 20 Armchair with wide armrest right
271 20 Armchair with wide armrest right
upholstery in Fortuny Blue Notte

17.7" x 17.7" Cushion in Fortuny Blue Notte
17.7" x 17.7" Cushion in Fortuny Carta da Zucchero
17.7" x 17.7" Cushion in Fortuny Cemento

19.7" x 19.7" Cushion in Fortuny Blue Notte
19.7" x 19.7" Cushion in Fortuny Carta da Zucchero
19.7" x 19.7" Cushion in Fortuny Cemento



available compositions



Note* This composition comes with an additional 3 cushions size 17.7" x 17.7" and 3 cushions size 19.7" x 19.7"

CONTEXT GALLERY

ENQUIRIES
info@contextgallery.com

Tel. 404. 477. 3301
Tel. 800. 886.0867

contextgallery.com

Cassina