

MEXIQUE OUTDOOR LOW TABLE CHARLOTTE PERRIAND



DESCRIPTION

Charlotte Perriand's Mexique furnishings take on new materials and finish options to transition outdoors. Cassina interprets the design in plywood, suitable for the outdoors, with a matte lacquer finish in various colors, a stainless steel base, and a matte black powder-coat finish. The same iconic triangular-shaped table and beveled edges, distinguishing the design, can be enjoyed as a dining table in two sizes, high bar or low table - making the best use of space as was initially intended. Charlotte Perriand began designing the "en forme libre" series of tables in 1938 and devised Mexique in 1952 specifically for the students' rooms in the Maison du Mexique at the Cité Universitaire Internationale in Paris.

STRUCTURE

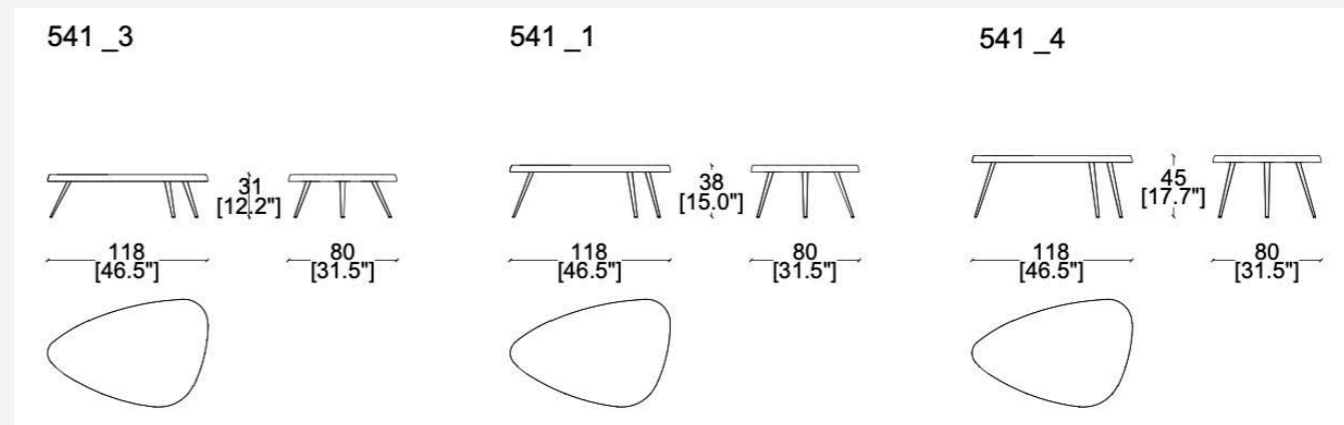
Top in okoume plywood, matte lacquer finish or porcelain stoneware
Base in stainless steel, matte black powder-coat finish
Feet in black plastic

ENQUIRIES
info@contextgallery.com

Tel. 404. 477. 3301
Tel. 800. 886.0867

contextgallery.com

DIMENSIONS



FINISHES



Mat Lacquered/
Marron Glace



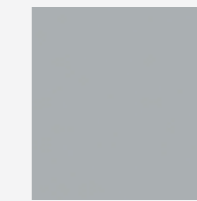
Mat Lacquered/
Rosso Cina



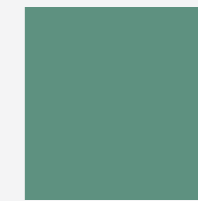
Mat Lacquered/
Comfort



Mat Lacquered/
Petrolio



Mat Lacquered/
Grigio Chiaro



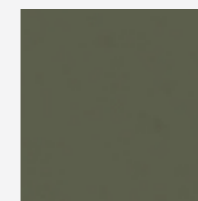
Mat Lacquered/
Verde Salvia



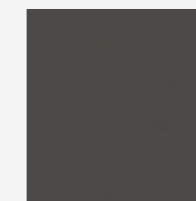
Mat Lacquered/
Blu Capri



Porcelain
Stoneware/
Grigio Chiaro



Porcelain
Stoneware/
Verde Muschio



Porcelain
Stoneware/
Grigio Basalto

