
Technical information

Frame

die-cast aluminium and extrusions with polyurethane painting

Seat and back

Stige mesh in Batyline® Canatex

Edges

Batyline® Keops

Wheels

acetal resin

Hinges

micro die-cast stainless steel

Handrail

vulcanised thermoplastic material

Ferrules

thermoplastic elastomer

Assembly parts

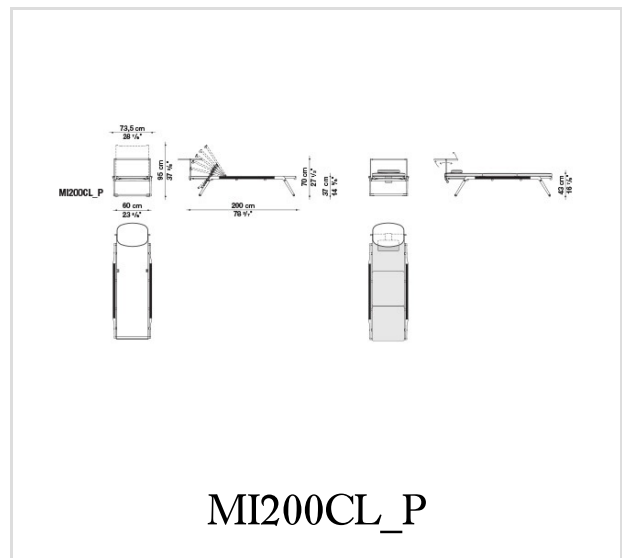
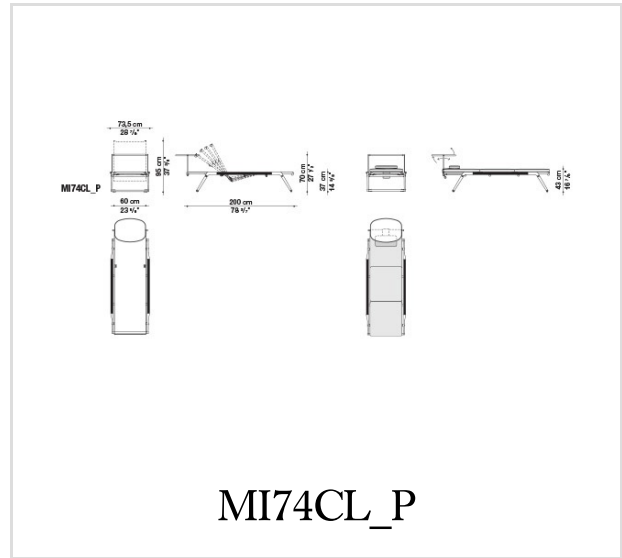
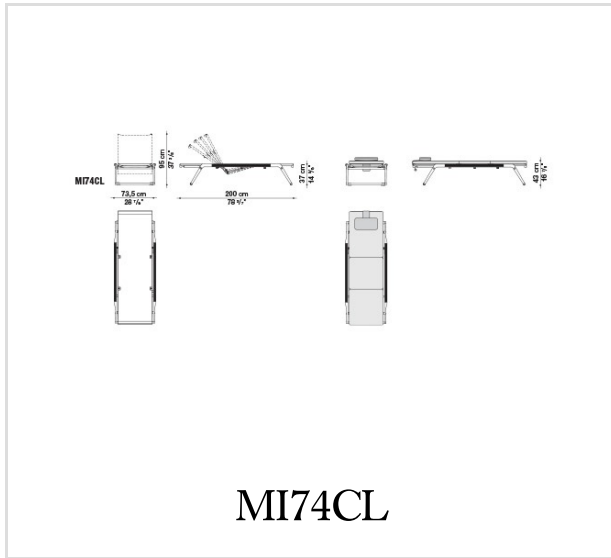
stainless steel and Ergal

Waterproof cover cloth

PES fabric coated on one side in PU

CONTEXT

Technical drawings



B&B Italia reserves the right to make technological and aesthetic improvements to its models, including changes to the sizes and materials, without notice. The technical drawings do not define the details of the product. The measurements shown are indicative and may undergo changes. In particular, the dimensions relevant to the padded parts are subject to usage tolerances over time caused by the normal adjustment of the padding. For the specific information, please contact the dealer closest to you.

CONTEXT