

Mirto Outdoor

SUNBEDS

2013

Antonio Citterio

CONTEXT

ENQUIRIES
info@contextgallery.com
Tel. 404. 477. 3301
Tel. 800. 886.0867
contextgallery.com



Description

Timeless, resistant and long-lasting, both formally and physically, the Mirto Outdoor loungers stand out for their essential and elegant design. They feature a light aluminium frame and a seat and back in Batyline® Canatex mesh, whose hemp fibre confers a more natural look compared to the plastics usually used in this sector. The edges are expertly cut, sewn and glued around the profiles to create a minimalist décor. The collection includes two versions, both with a backrest that can be adjusted to several positions. Moreover, both come with an optional sunshade and padded mattress for added comfort. Finally, small, discreet wheels on the crosspieces make the lounge particularly easy to move.

Technical information

Frame

die-cast aluminium and extrusions with polyurethane painting

Seat and back

Stige mesh in Batyline® Canatex

Edge

Batyline® Keops

Wheels

acetal resin

Hinge

micro die-cast stainless steel

Handrail

vulcanised thermoplastic material

Upholstery (small mattress and headrest)

shaped polyurethane, polyester fibre cover

Ferrules

thermoplastic elastomer

Waterproof cover cloth

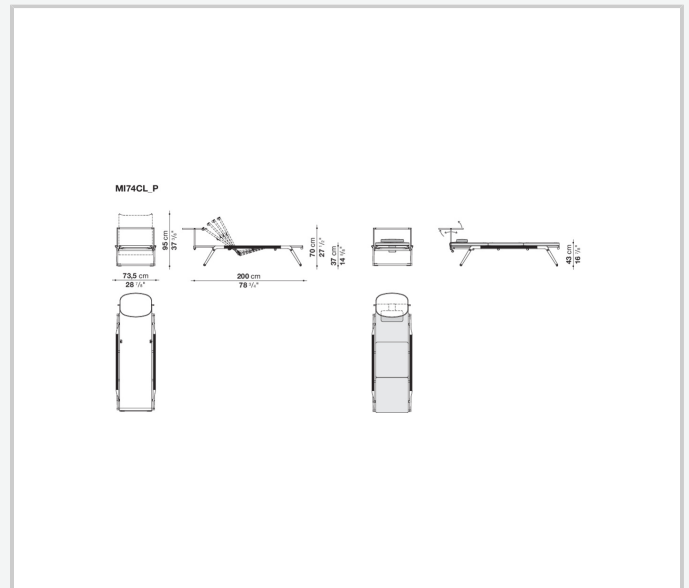
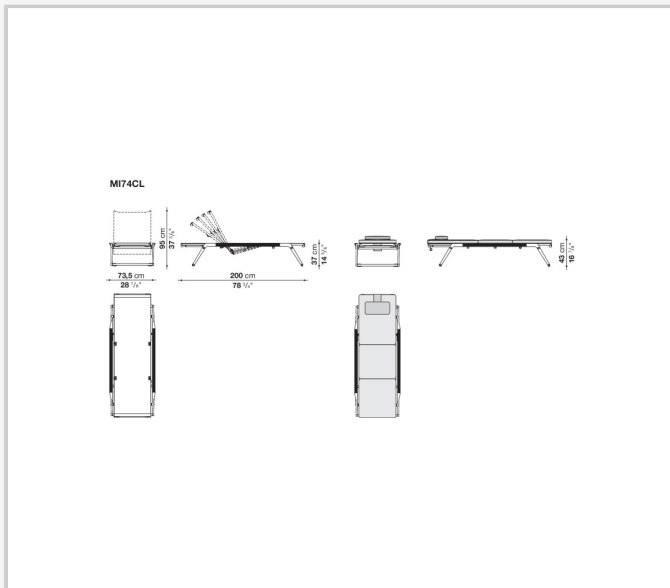
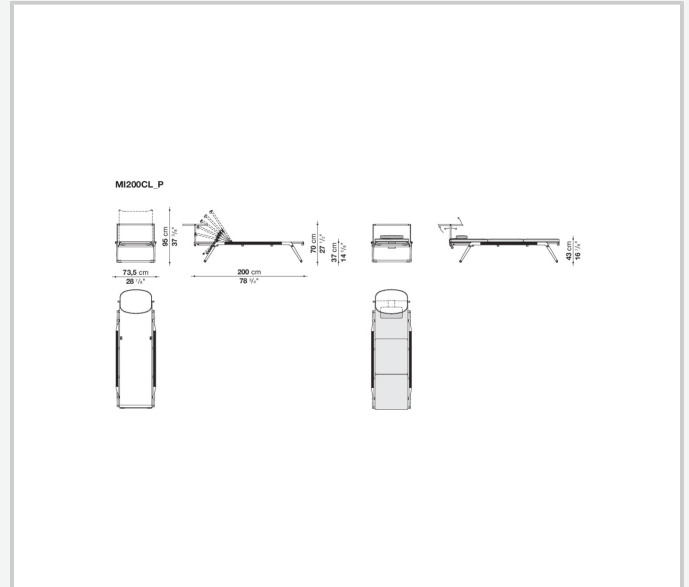
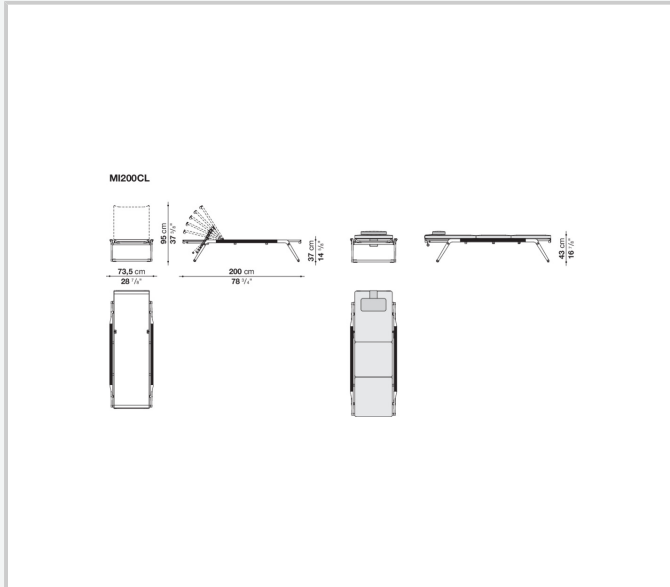
PES fabric coated on one side in PU

CONTEXT

ENQUIRIES
info@contextgallery.com

Tel. 404. 477. 3301
Tel. 800. 886.0867

Technical drawings



CONTEXT

ENQUIRIES
info@contextgallery.com

Tel. 404. 477. 3301
Tel. 800. 886.0867