

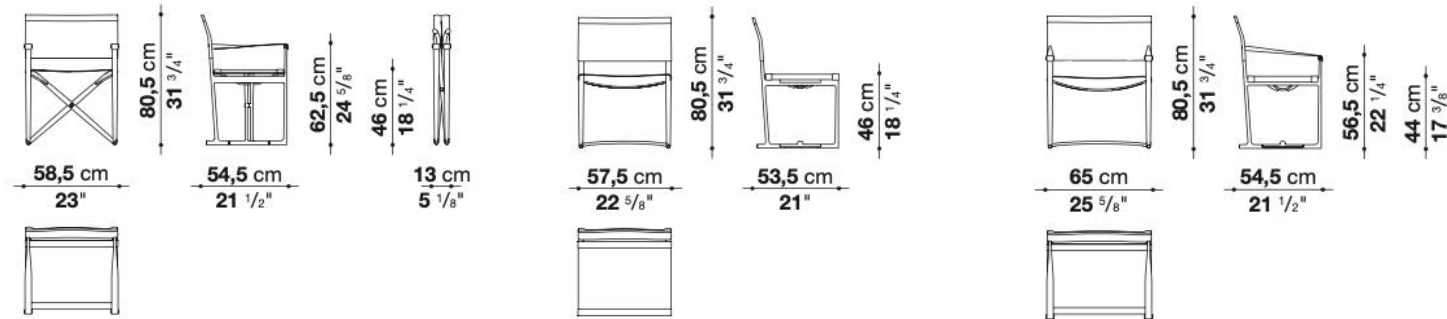
CONTEXT GALLERY

Mirto Outdoor

DESIGNED BY ANTONIO CITTERIO

ENQUIRIES
info@contextgallery.com
Tel. 404. 477. 3301
Tel. 800. 886.0867
contextgallery.com

Timeless, resistant and durable, both from a formal and a physical point of view, the Mirto Outdoor chairs express an elegance that transcend time and fashions. They come in a fixed version, with or without armrests, and in a folding version, reinterpreting the classic director's chair. They feature a light aluminium frame and a seat and back in Batyline® Canatex mesh, whose hemp fibre confers a surprisingly natural look compared to the plastics usually used in this sector. The edges are expertly cut, sewn and glued around the profiles to create a minimalist décor. Mirto Outdoor is a complete series of outdoor furniture inclusive of chairs, armchairs, loungers, dining tables and furnishings.



Folding Armchair MI59SR

White painted frame, White mesh
or
Tortora painted frame, Tortora mesh

Chair MI58S

White painted frame, White mesh
or
Tortora painted frame, Tortora mesh

Armchair MI65P

White painted frame, White mesh
or
Tortora painted frame, Tortora mesh

