

Mirto Outdoor

CHAIRS

2013

Antonio Citterio**CONTEXT**ENQUIRIES
info@contextgallery.com
Tel. 404. 477. 3301
Tel. 800. 886.0867
contextgallery.com

Description

Timeless, resistant and durable, both from a formal and a physical point of view, the Mirto Outdoor chairs express an elegance that transcend time and fashions. They come in a fixed version, with or without armrests, and in a folding version, reinterpreting the classic director's chair. They feature a light aluminium frame and a seat and back in Batyline® Canatex mesh, whose hemp fibre confers a surprisingly natural look compared to the plastics usually used in this sector. The edges are expertly cut, sewn and glued around the profiles to create a minimalist décor. Mirto Outdoor is a complete series of outdoor furniture inclusive of chairs, armchairs, loungers, dining tables and furnishings.

Technical information

Frame

die-cast aluminium and extrusions with polyurethane painting

Seat and back

Stige mesh in Batyline® Canatex

Seat and back (MI59N)

fabric Laguna or Lamar

Edge and armrest

Batyline® Keeps

Armrest (MI59N)

waterproof thick leather

Ferrules

thermoplastic elastomer

CONTEXT

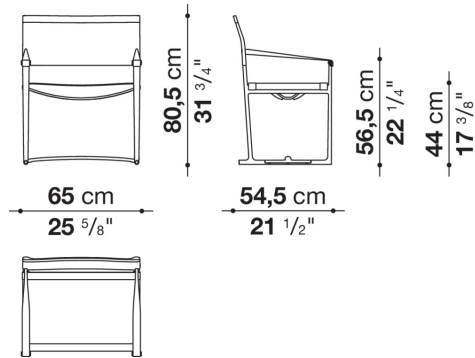
ENQUIRIES
info@contextgallery.com

Tel. 404. 477. 3301
Tel. 800. 886.0867

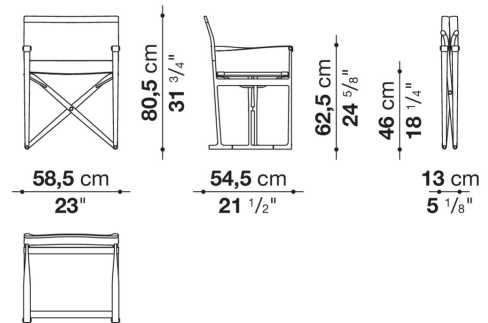
contextgallery.com

Technical drawings

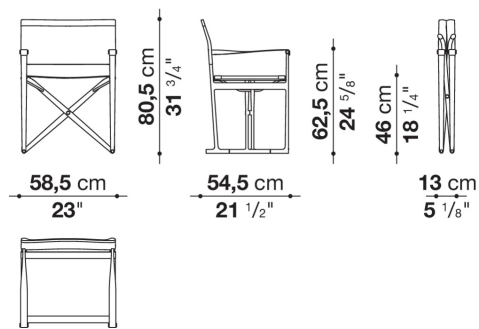
MI65P



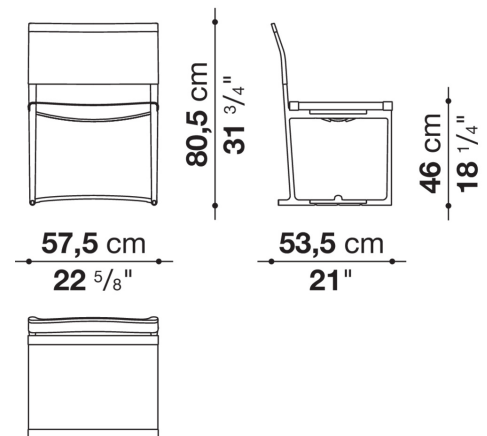
MI59N



MI59SR



MI58S



CONTEXT

ENQUIRIES
info@contextgallery.com

Tel. 404. 477. 3301
Tel. 800. 886.0867

contextgallery.com