
Mirto Outdoor

CONTEXT

TABLES

2013

Antonio Citterio

ENQUIRIES
info@contextgallery.com
Tel. 404. 477. 3301
Tel. 800. 886.0867
contextgallery.com



Description

The Mirto Outdoor tables are characterised by their purity of shape, timeless elegance and quality details. Available in numerous sizes and two heights, they come with light die-cast aluminium frames and a variety of tops: in painted aluminium, porcelain stoneware, and glazed lava stone tiles decorated with reproductions of traditional Sicilian lace. This latest version uses a special material for the decoration, obtained by shattering the glass of monitors and discarded electronic instruments, and applying it to the surface of the tiles through an exclusive manufacturing process. Mirto Outdoor is a complete series of outdoor furniture inclusive of chairs, small armchairs, loungers, small tables, consoles and other furnishings.

Technical information

Frame

die-cast aluminium and extrusions with polyurethane painting

Top

aluminium sheet with polyurethane painting, porcelain stoneware or enamelled lava stone on aluminium top

Ferrules

thermoplastic elastomer

Waterproof cover cloth

PES fabric coated on one side in PU

CONTEXT

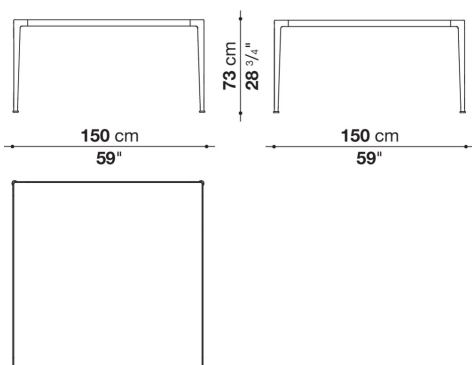
ENQUIRIES
info@contextgallery.com

Tel. 404. 477. 3301
Tel. 800. 886.0867

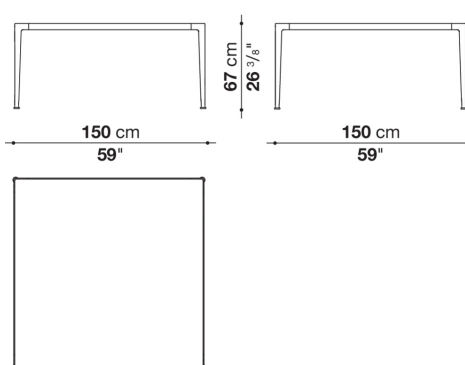
Technical drawings

ENQUIRIES
 info@contextgallery.com
 Tel. +36.472.3100
 Tel. 800.886.0867
 contextgallery.com

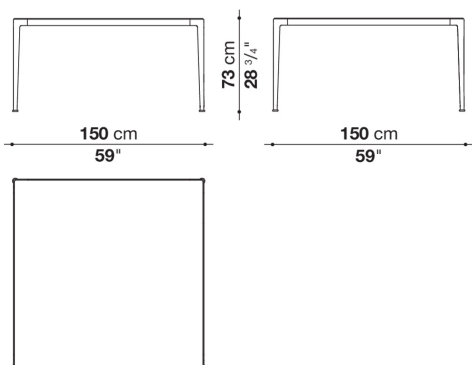
MI150TQ



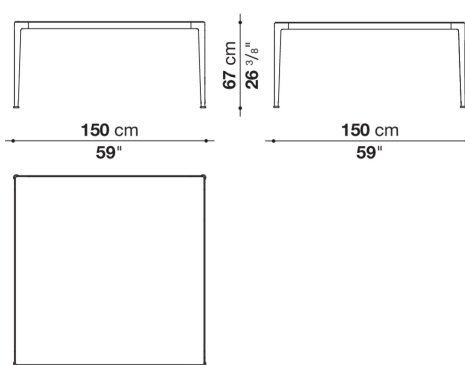
MI150TQ_6



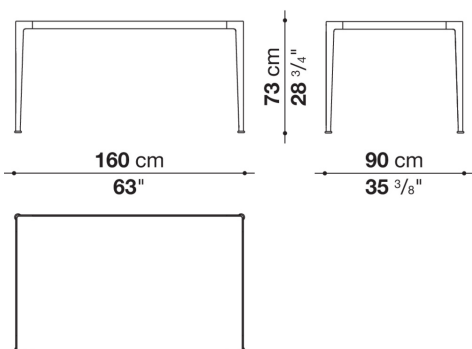
MI150TQG



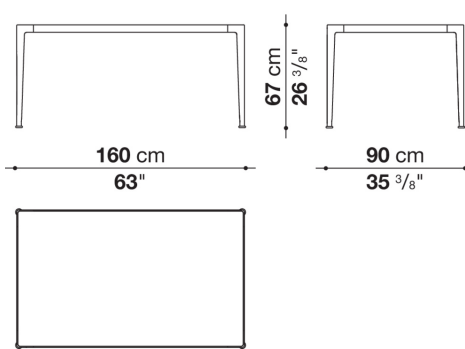
MI150TQG_6



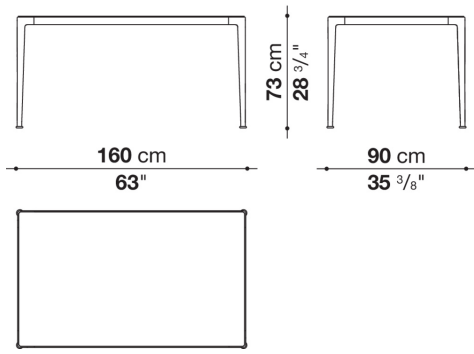
MI160T



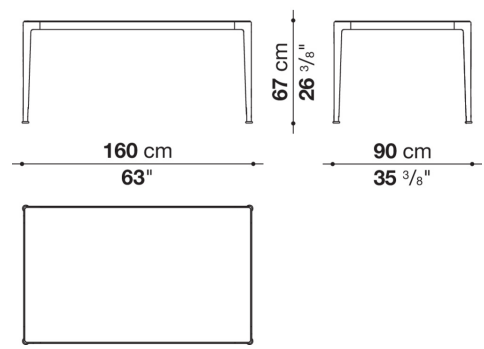
MI160T_6



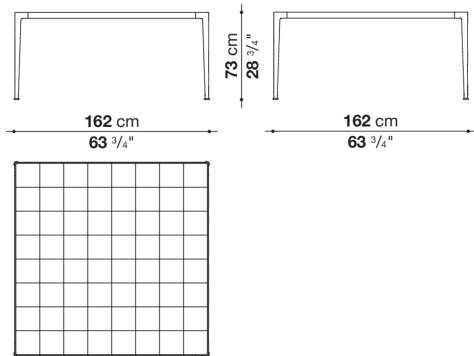
MI160TG



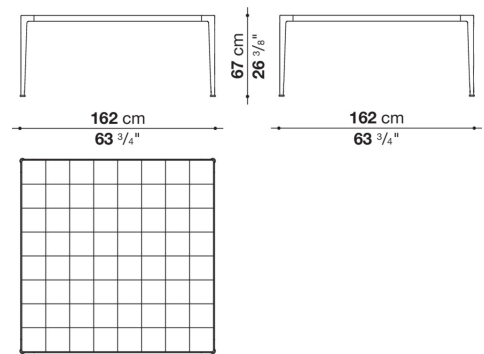
MI160TG_6



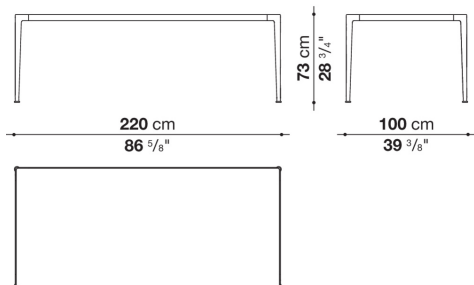
TMO162Q



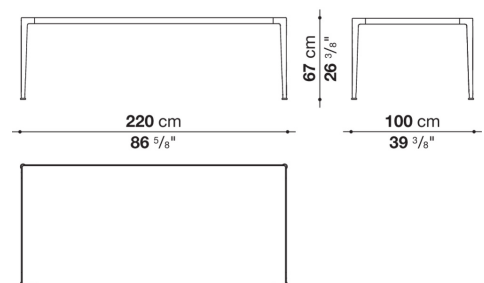
TMO162Q_6



MI220T

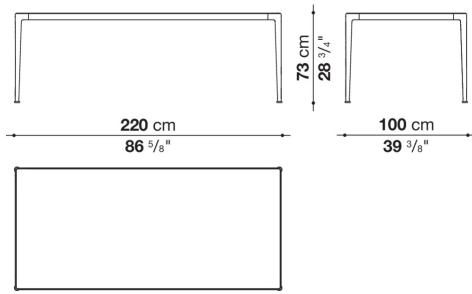


MI220T_6

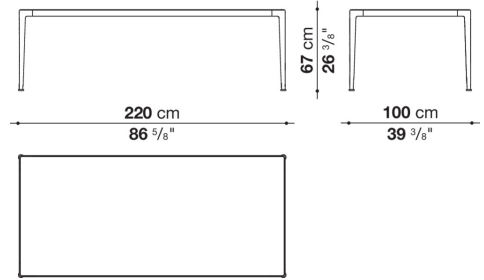


CONTEXT

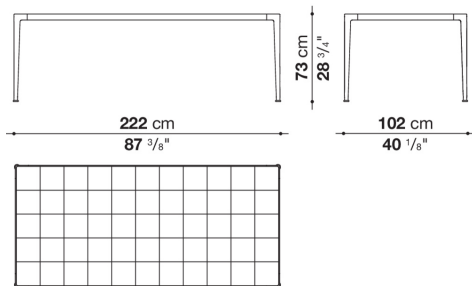
MI220TG



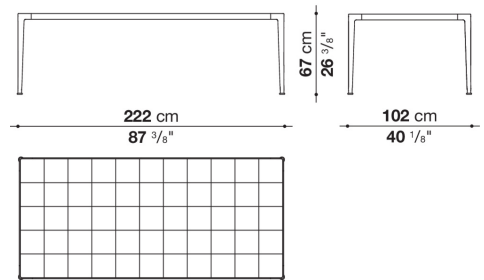
MI220TG_6



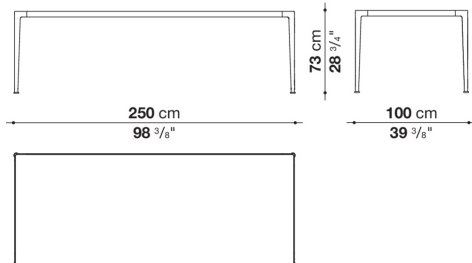
TMO222



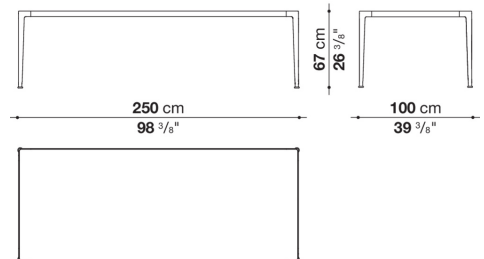
TMO222_6



MI250T



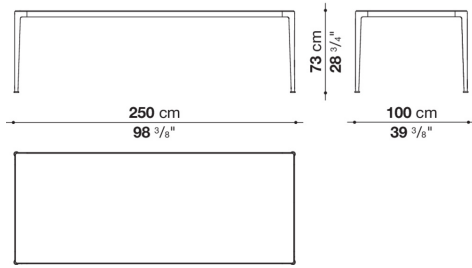
MI250T_6



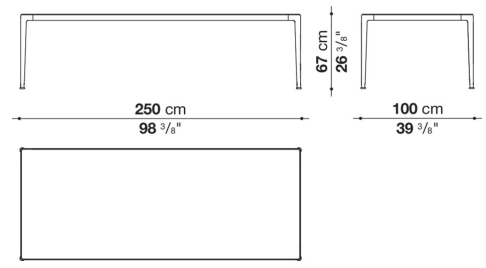
CONTEXT

ENQUIRIES
info@contextgallery.com
Tel. 404. 477. 3301
Tel. 800. 886.0867
contextgallery.com

MI250TG



MI250TG_6



CONTEXT

ENQUIRIES
info@contextgallery.com

Tel. 404. 477. 3301
Tel. 800. 886.0867

contextgallery.com