

# Mirto Outdoor

SMALL TABLES

2015

Antonio Citterio

**CONTEXT**

ENQUIRIES  
info@contextgallery.com  
Tel. 404. 477. 3301  
Tel. 800. 886.0867  
contextgallery.com



## Description

Square or rectangular and available in different sizes and finishes, the Mirto Outdoor small tables stand out for their purity of shape, timeless elegance and quality details. Their light frames in die-cast aluminium are combined with different types of tops: in painted aluminium, in porcelain stoneware and with enamelled lava stone tiles decorated with reproductions of traditional Sicilian lace. This latest version uses a special material for the decoration, obtained by shattering the glass of monitors and discarded electronic instruments, and applying it to the surface of the tiles through an exclusive manufacturing process.

## Technical information

**Frame**

die-cast aluminium and extrusions with polyurethane painting

**Top**

aluminium sheet with polyurethane painting, porcelain stoneware or enamelled lava stone on aluminium top

**Frame and top (MI54T-MI55\_5)**

die-cast aluminium with polyurethane painting

**Ferrules**

thermoplastic elastomer

**Waterproof cover cloth**

PES fabric coated on one side in PU

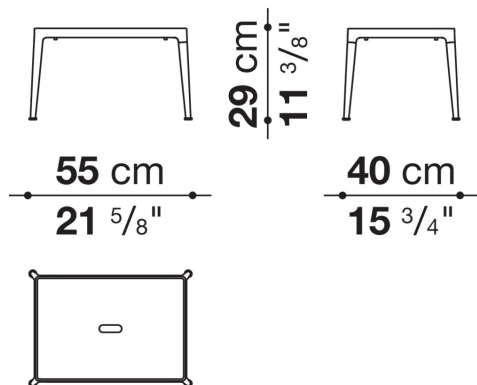
## CONTEXT

ENQUIRIES  
info@contextgallery.com

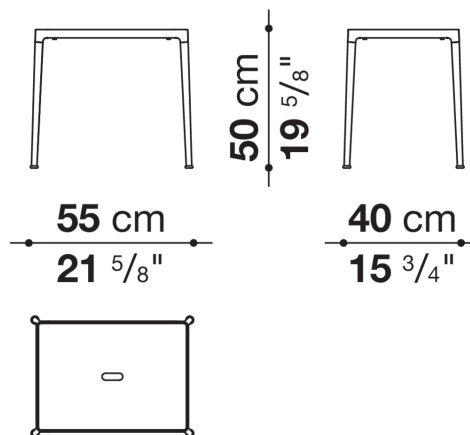
Tel. 404. 477. 3301  
Tel. 800. 886.0867

contextgallery.com

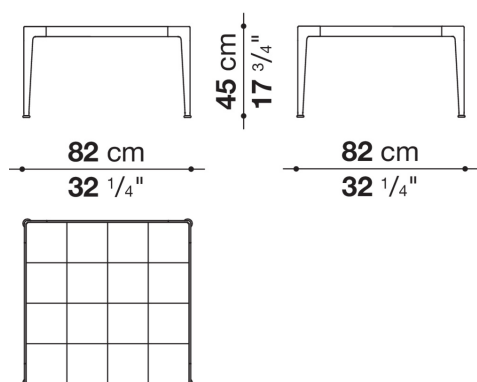
**MI54T**



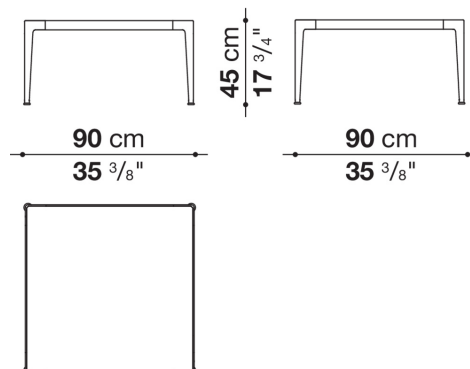
**MI55\_5**



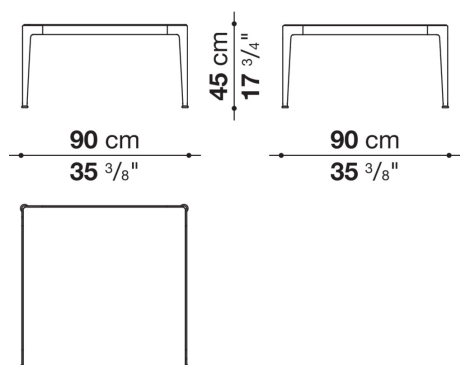
**TMO82Q\_4**



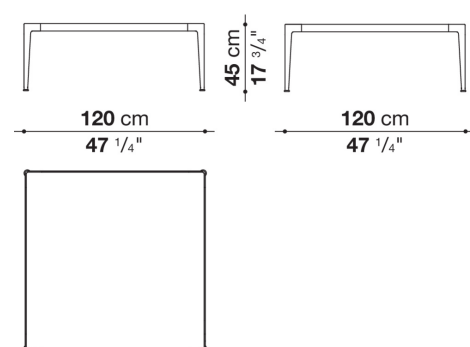
**MI90Q\_4**



**MI90Q\_4G**



**MI120Q\_4**





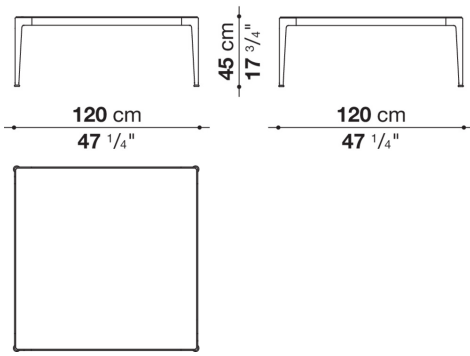
## CONTEXT

ENQUIRIES  
[info@contextgallery.com](mailto:info@contextgallery.com)

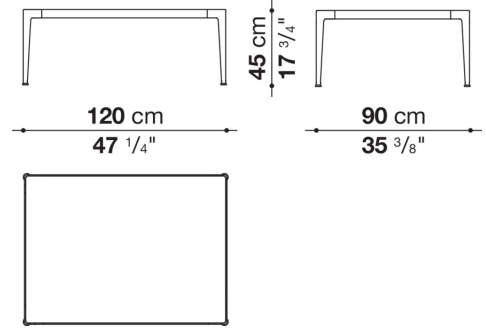
Tel. 404. 477. 3301  
Tel. 800. 886. 0867

[contextgallery.com](http://contextgallery.com)

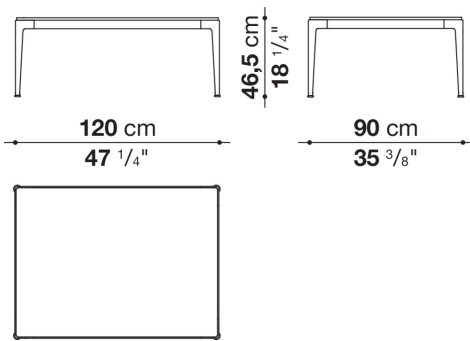
**MI120Q\_4G**



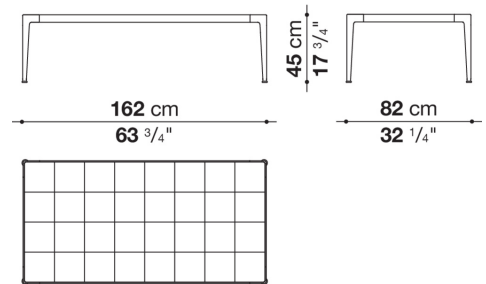
**MI120\_4**



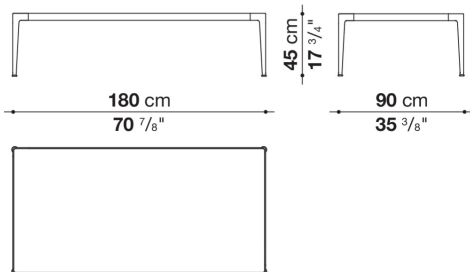
**MI120\_4G**



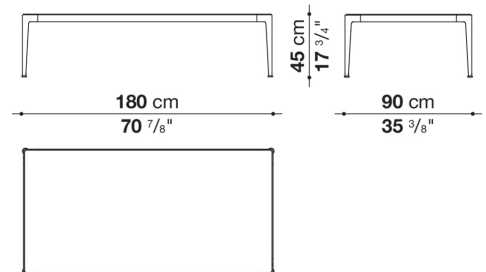
**TMO162\_4**



**MI180\_4**

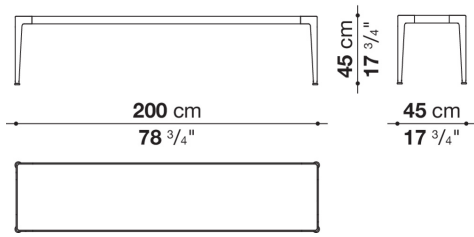


**MI180\_4G**

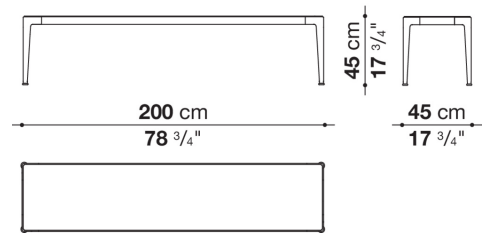


**CONTEXT**

**MI200\_4**



**MI200\_4G**



# CONTEXT

ENQUIRIES  
info@contextgallery.com

Tel. 404. 477. 3301  
Tel. 800. 886.0867

contextgallery.com