

---

# Maru

SMALL TABLES

*Nipa Doshi and Jonathan Levien*



## Description

The key feature of the small tables Maru is the thick top combined with the structure composed by three die cast aluminium legs. Two diameters: 51 and 141 cm, which make them the ideal choice either as coffee tables in front of the sofa or as occasional tables. The small table with diameter 51 cm, available in 16 colours, combines a glossy painted top with a satin painted structure. For the one with diameter 141 cm the top can be chosen among glass, wood and marble, while the structure is available in the finishing satin black painted, satin chalk white painted, painted black chrome or pewter painted.

---

## Technical information

### Top (TM5):

glossy painted MDF panel

### Top (TM14):

veneered MDF panel: grey oak, brushed light oak, brushed black oak, toughened white back-painted glass, toughened black back-painted glass, Carrara white marble "venatino statuarietto" (natural finish) or Marquinia black marble (matt polyester finish)

### Frame (TM14):

painted black chrome, pewter painted or satin painted and pressed structural hard polyurethane

### Legs (TM5):

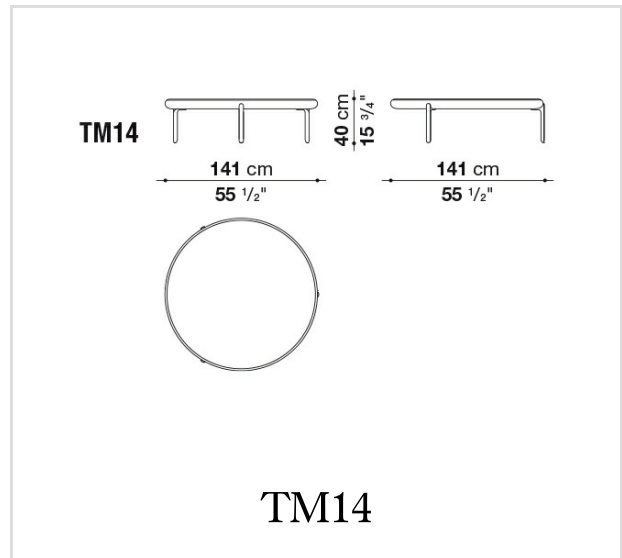
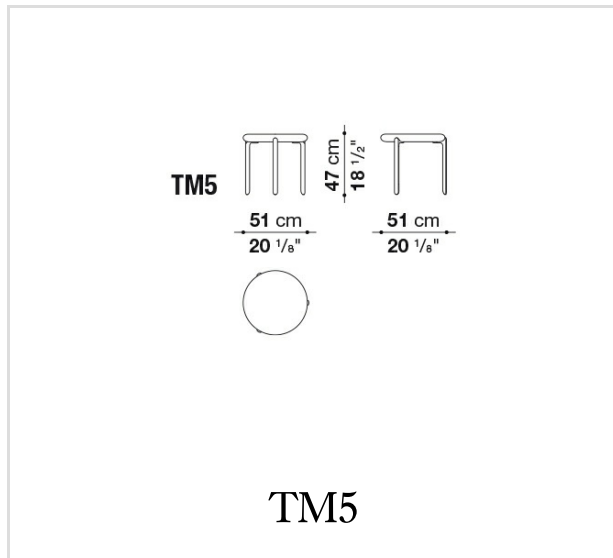
satin painted die-cast aluminium

### Legs (TM14):

painted black chrome, pewter painted or satin painted die-cast aluminium

---

# Technical drawings



B&B Italia reserves the right to make technological and aesthetic improvements to its models, including changes to the sizes and materials, without notice. The technical drawings do not define the details of the product. The measurements shown are indicative and may undergo changes. In particular, the dimensions relevant to the padded parts are subject to usage tolerances over time caused by the normal adjustment of the padding. For the specific information, please contact the dealer closest to you.