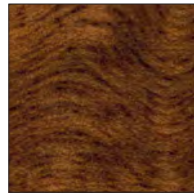


# Mirto Indoor

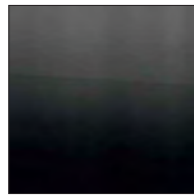
DESIGNED BY ANTONIO CITTERIO

The components are characterized by a simple design of reduced thickness that offers specific details and a wide array of materials and finishes.

Available in quick ship program the rectangular version 250 cm, with glossy frisé eucalypt top and black chrome die-cast aluminium base.

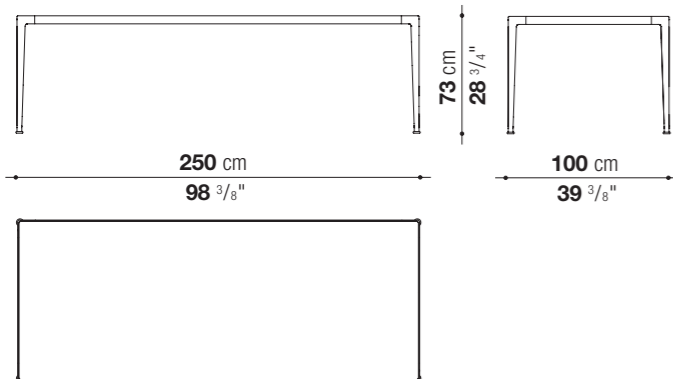


Top  
0498E  
glossy frisé eucalypt



Legs  
0170M  
painted  
black chrome

IMT250



## CONTEXT

ENQUIRIES  
[info@contextgallery.com](mailto:info@contextgallery.com)

Tel. 404. 477. 3301  
Tel. 800. 886.0867

[contextgallery.com](http://contextgallery.com)  
[contextcontract.com](http://contextcontract.com)

