

**NEMO**<sup>USA</sup>

## **LAMPE DE MARSEILLE**

Le Corbusier

Designed by Le Corbusier for the Unite d'Habitation of Marseille in 1949/1952, it is an adjustable wall lamp with two joints on the arm and a rotating wall fixing. Spun aluminum diffuser available with matt grey or whitewash body and white interior. Double switch on the cable for functional and adjustable direct and indirect lighting.



# NEMO<sup>USA</sup>

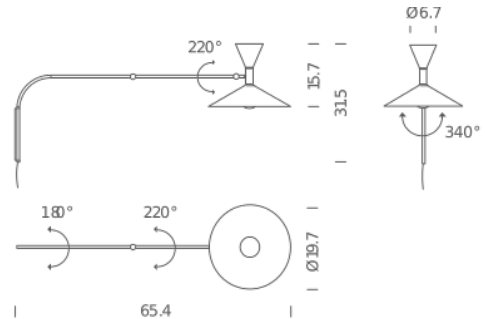
## LAMPE DE MARSEILLE

Le Corbusier

### E26 FLUO/LED/HALO

#### Lamping

<b>Source</b>	E26 Ø11cm ( DOWN ) + A60 ( UP )
<b>Total power</b>	2 X 70W
<b>Emission</b>	DOUBLE EMISSION, DIRECT + INDIRECT
<b>Switching</b>	switch on cable, mono switch
<b>Tension</b>	120V
<b>Ip class</b>	20
<b>Dimensions</b>	Ø 19.7 X 31.5 H
<b>Materials</b>	
<b>Notes</b>	



## CONTEXT

349 Peachtree Hills Ave  
Suite B2  
Atlanta, GA 30305

contextgallery.com  
contextcontract.com

ENQUIRIES  
info@contextgallery.com

Tel. 404. 477. 3301  
Tel. 800. 886.0867

---

## Codes

LDM EWW 31

whitewash

LDM EDD 31

grey / whitewash

**Net lamp weight**

## Structure

whitewash

**matt grey**

11 lbs

## Diffuser

---

## Package 1

**Dimensions**

61.8 X 35 X 8.7

**Gross weight**

19.8 lbs