
Pablo

ARMCHAIRS

2019

Vincent Van Duysen

CONTEXT

ENQUIRIES
info@contextgallery.com
Tel. 404. 477. 3301
Tel. 800. 886.0867
contextgallery.com



Description

Poised midway between a small armchair and a chaise longue, Pablo stands out for its accentuated, comfortable design, resulting in aesthetic and structural solutions with a strong visual impact. The appealing shape is defined by an accentuated depth and a slightly inclined front. The frame is in solid wood in various finishes. Flowing on from the backrest and fastened to the armrests, the seat seems to float, suspended in mid-air. It comprises a double layer of thick leather with light seat padding, barely visible to the eye but capable of ensuring great comfort. Apparently simple, Pablo reveals a meticulous attention to detail. The result is especially noticeable in the proportions, which are calibrated to the millimetre, in the constant counterpoint of straight and curved lines, and in the frame's vertical elements softened by a curved section.

Technical information

Frame

solid wood

Internal shell

Bayfit® flexible cold shaped polyurethane foam and glass fibre

Ferrules

felt

Cover

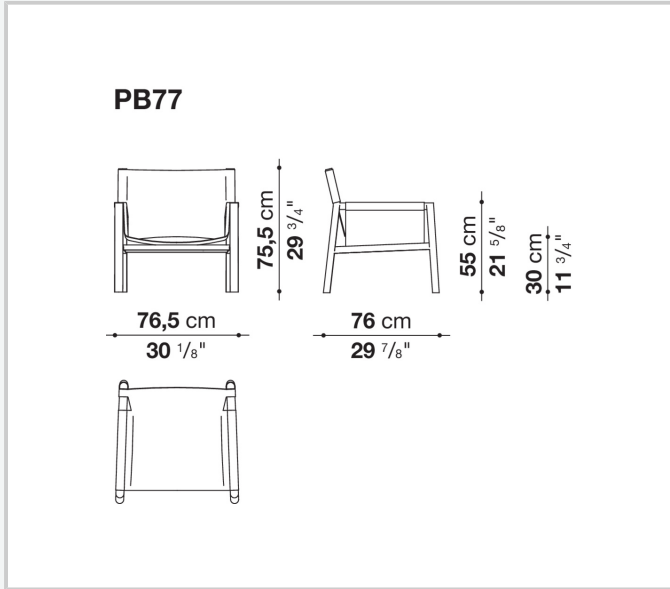
thick leather

CONTEXT

ENQUIRIES
info@contextgallery.com

Tel. 404. 477. 3301
Tel. 800. 886.0867

Technical drawings



CONTEXT

ENQUIRIES
info@contextgallery.com

Tel. 404. 477. 3301
Tel. 800. 886.0867