

# Pablo Outdoor

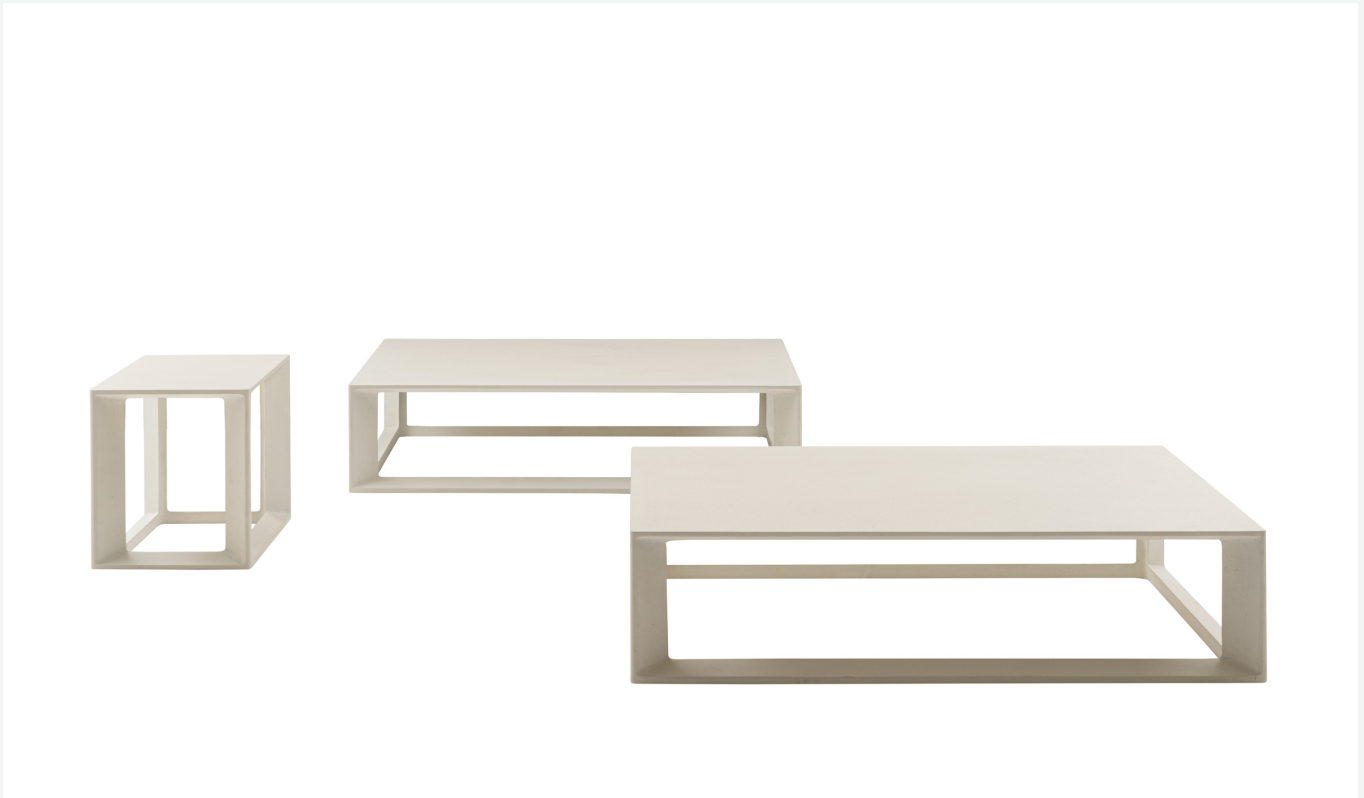
SMALL TABLES

2022

Vincent Van Duysen

**CONTEXT**

ENQUIRIES  
info@contextgallery.com  
Tel. 404. 477. 3301  
Tel. 800. 886.0867  
contextgallery.com



## Description

The decisive yet soft lines of Pablo Outdoor seats are perfectly balanced in the small cement outdoor tables. Linear, solid, and highly geometric shapes represent the heart of these architectural objects with a certain effect. To provide multiple solutions, the small Pablo Outdoor tables come in two sizes and two colours. The colours give shape to a large, low model that works perfectly as an island defining a conversation area, and a higher, narrower model with a square base, is ideal as a service element next to the sofa or armchair.

## Technical information

**Top and frame**

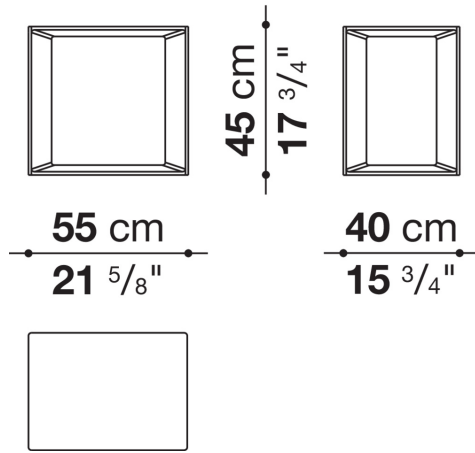
cement (Ultra High Performance Concrete)

**Ferrules**

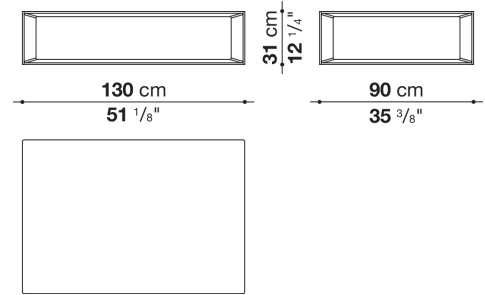
thermoplastic material

# Technical drawings

## TPB55



## TPB130



## CONTEXT

ENQUIRIES  
info@contextgallery.com

Tel. 404. 477. 3301  
Tel. 800. 886.0867

contextgallery.com