

Papilio Shell

CHAIRS

2015

Naoto Fukasawa

CONTEXT

ENQUIRIES
info@contextgallery.com
Tel. 404. 477. 3301
Tel. 800. 886.0867
contextgallery.com



Description

Forming part of the iconic seating collection of the same name, the Papilio Shell chair comes either with a shell entirely in polypropylene or with a shell padded and covered in fabric. The base comes in two versions: with four steel or wooden legs. The shape of the back of Papilio Shell calls to mind the multicoloured wings of a butterfly ready to take flight. It is this detail that inspired the name, “papilio” being the Latin term for butterfly.

Technical information

Shell

polypropylene

Shell upholstery (PSH1-PSH2)

shaped polyurethane, polyester fibre

Support frame (SH1-PSH1)

steel profiles

Legs (SH2-PSH2)

solid wood

Double-side ferrules

plastic material, felt

Cover (PSH1-PSH2)

fabric in limited categories

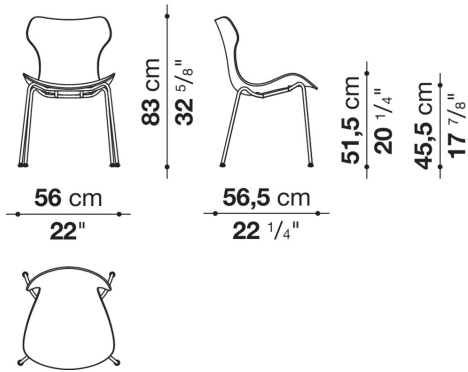
CONTEXT

ENQUIRIES
info@contextgallery.com

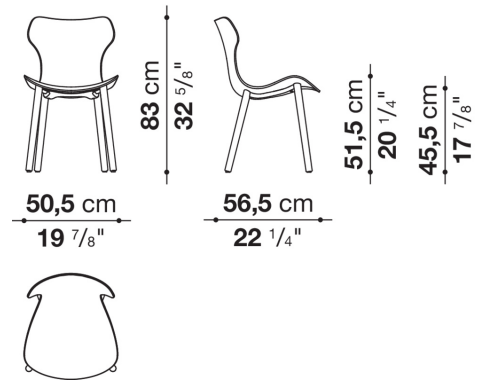
Tel. 404. 477. 3301
Tel. 800. 886.0867

Technical drawings

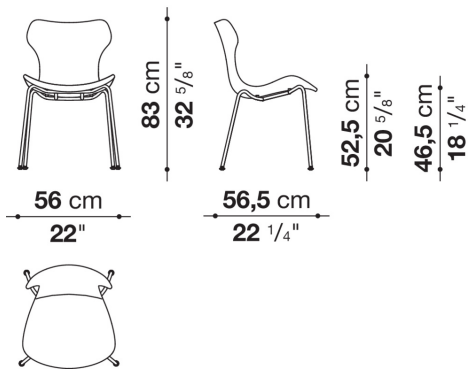
SH1



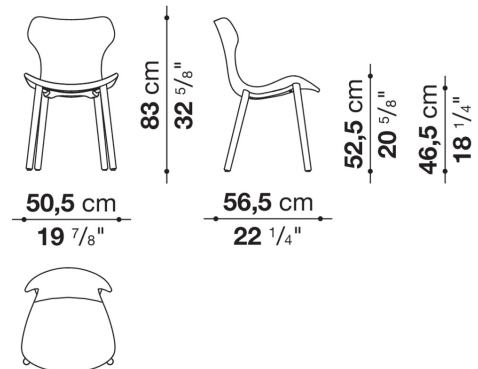
SH2



PSH1



PSH2



CONTEXT

ENQUIRIES
info@contextgallery.com

Tel. 404. 477. 3301
Tel. 800. 886.0867